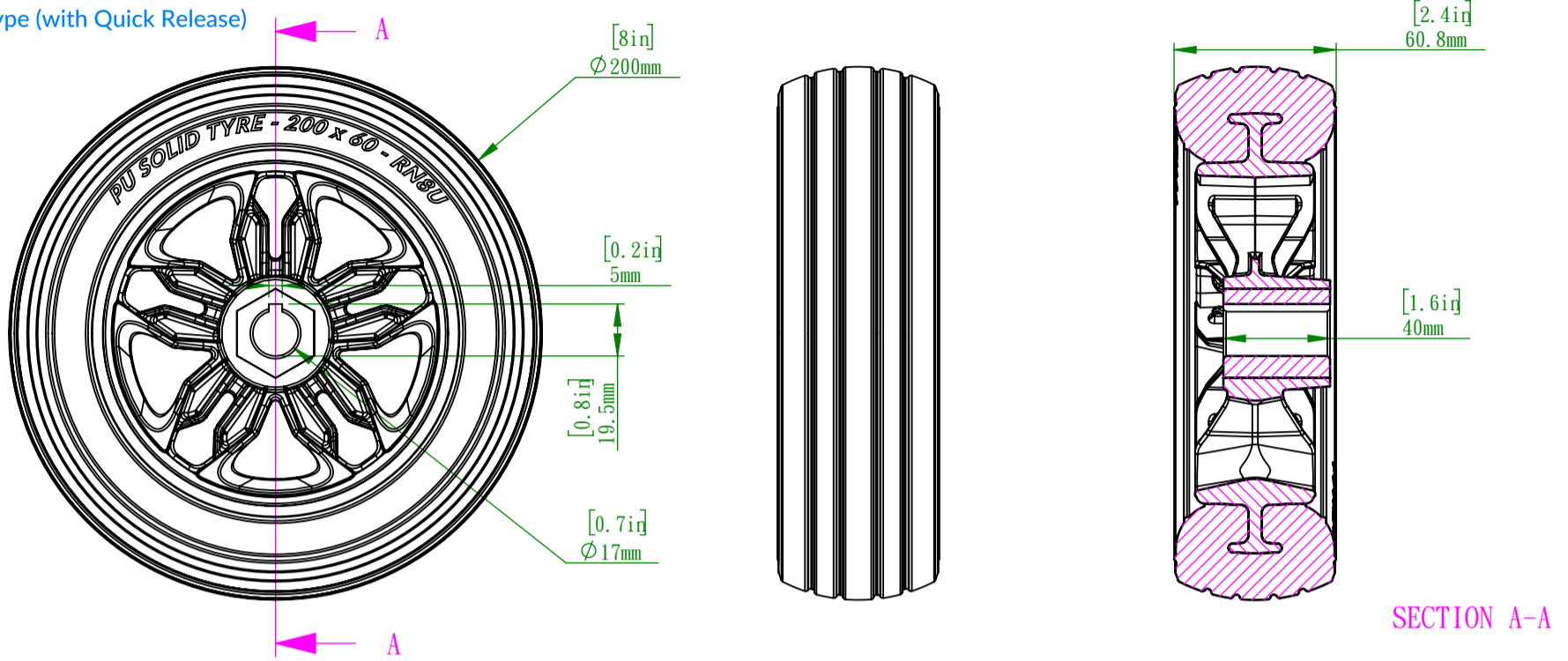
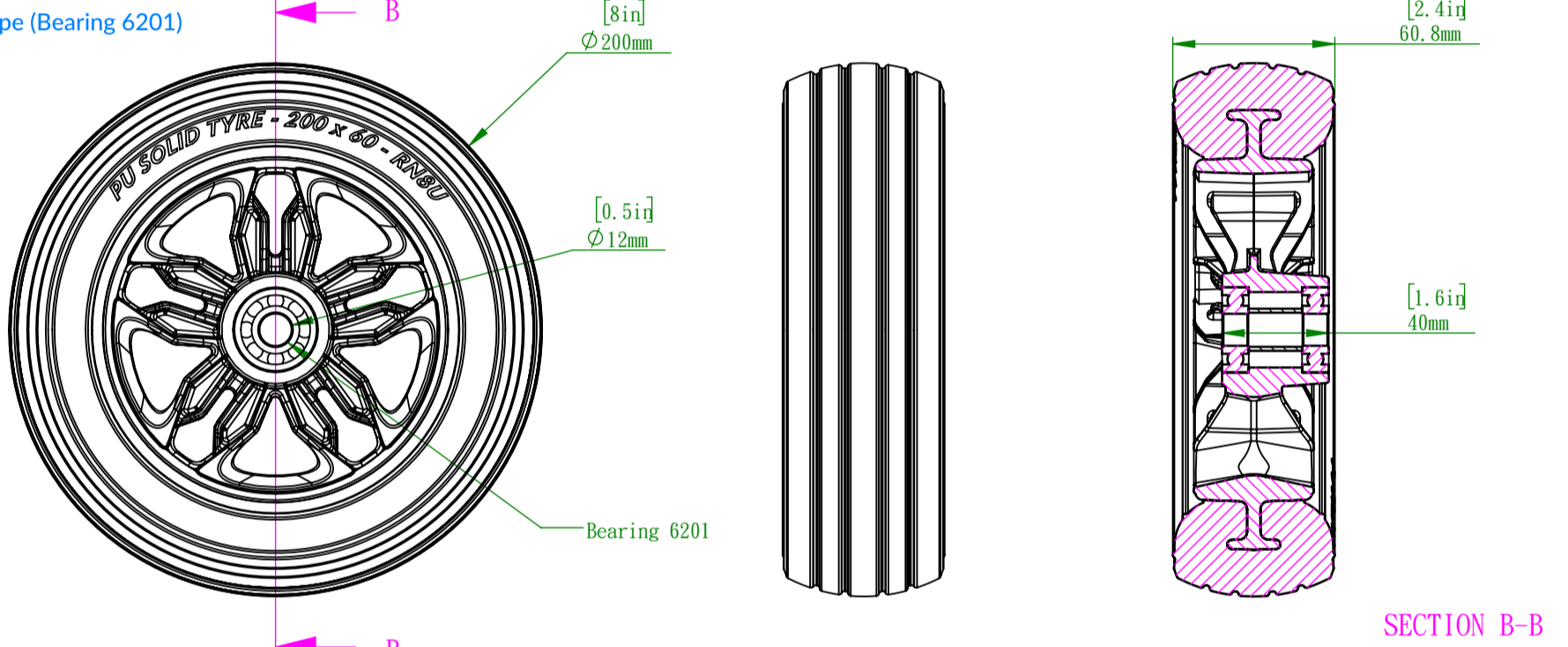


REVISIONS				
ZONE	REV.	DESCRIPTION	DATE	APPROVED
-	1.1	Revised the detail dimensions.	2023/01/18	Sonny

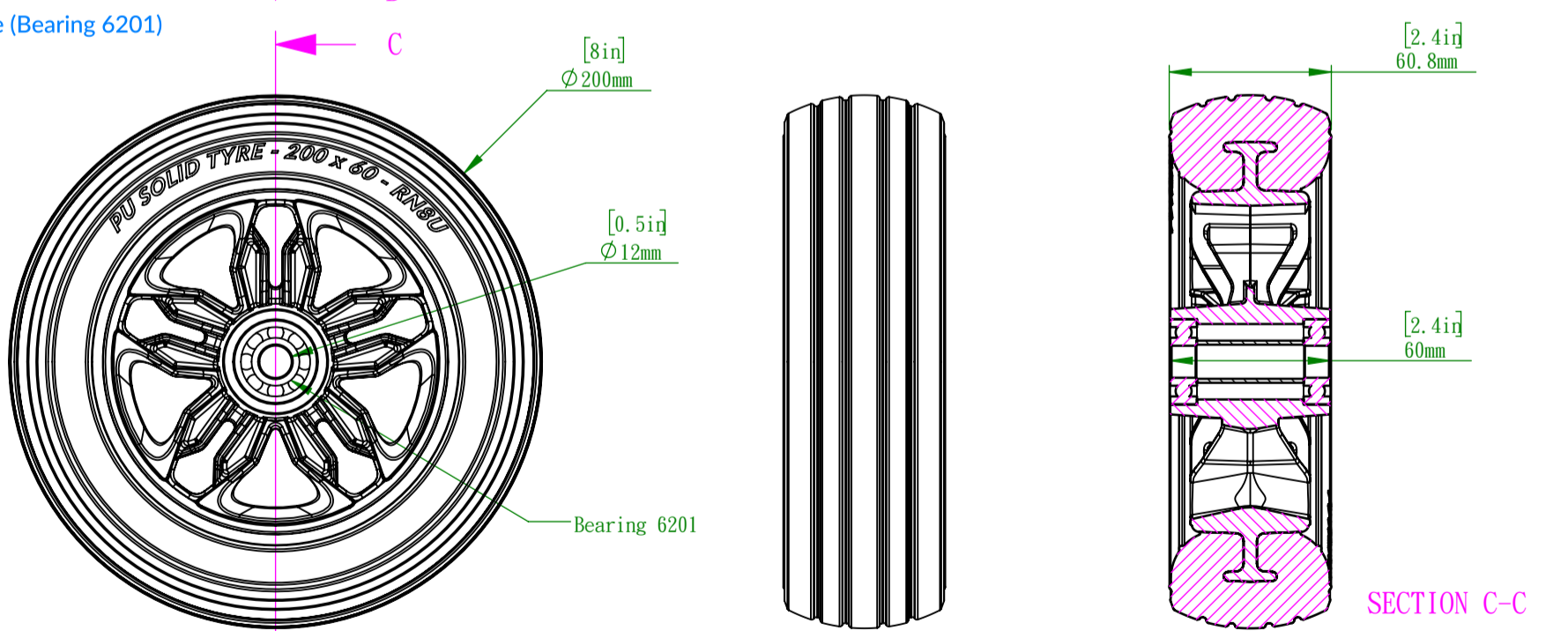
Eccentric - A Type (with Quick Release)



Eccentric - B Type (Bearing 6201)



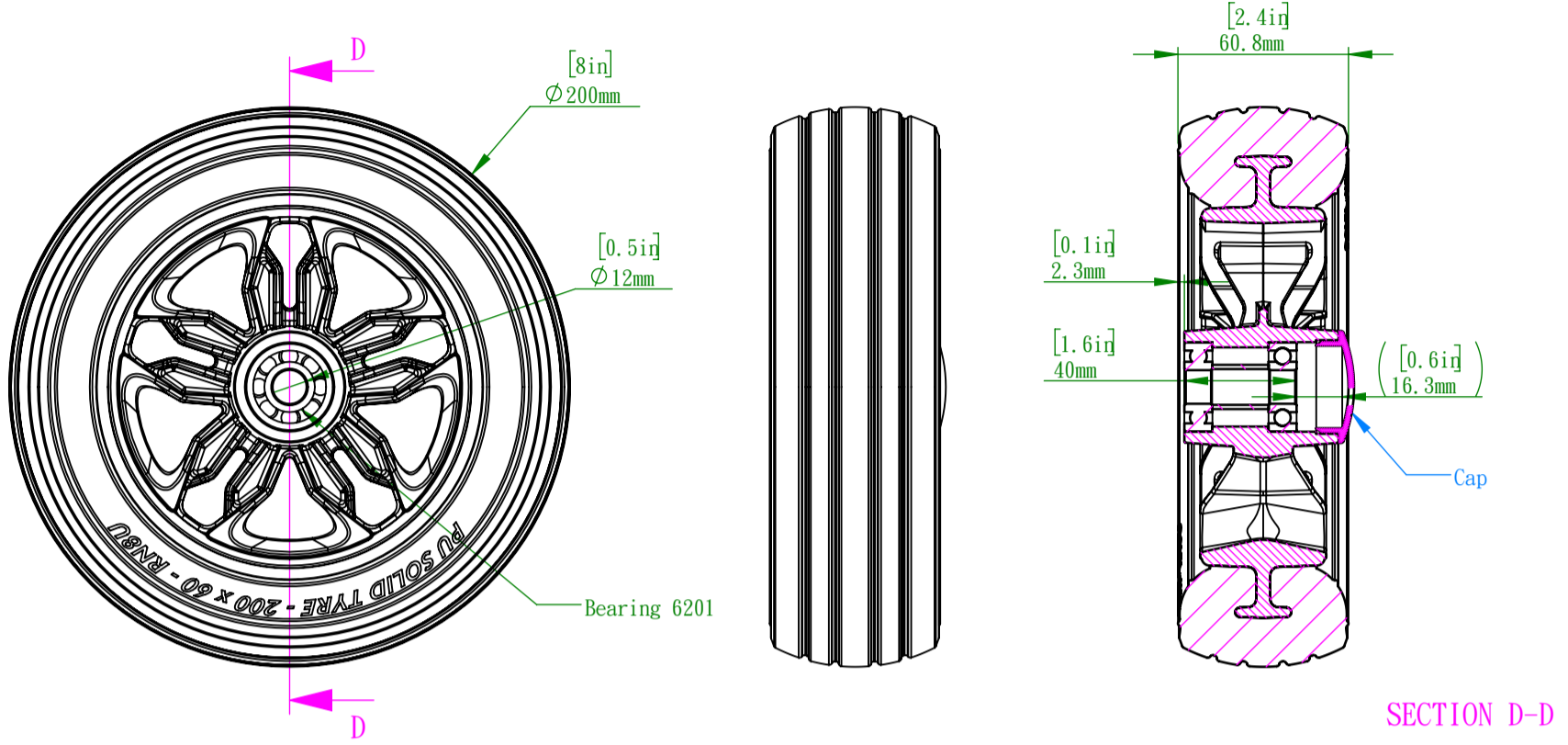
Centric - C Type (Bearing 6201)



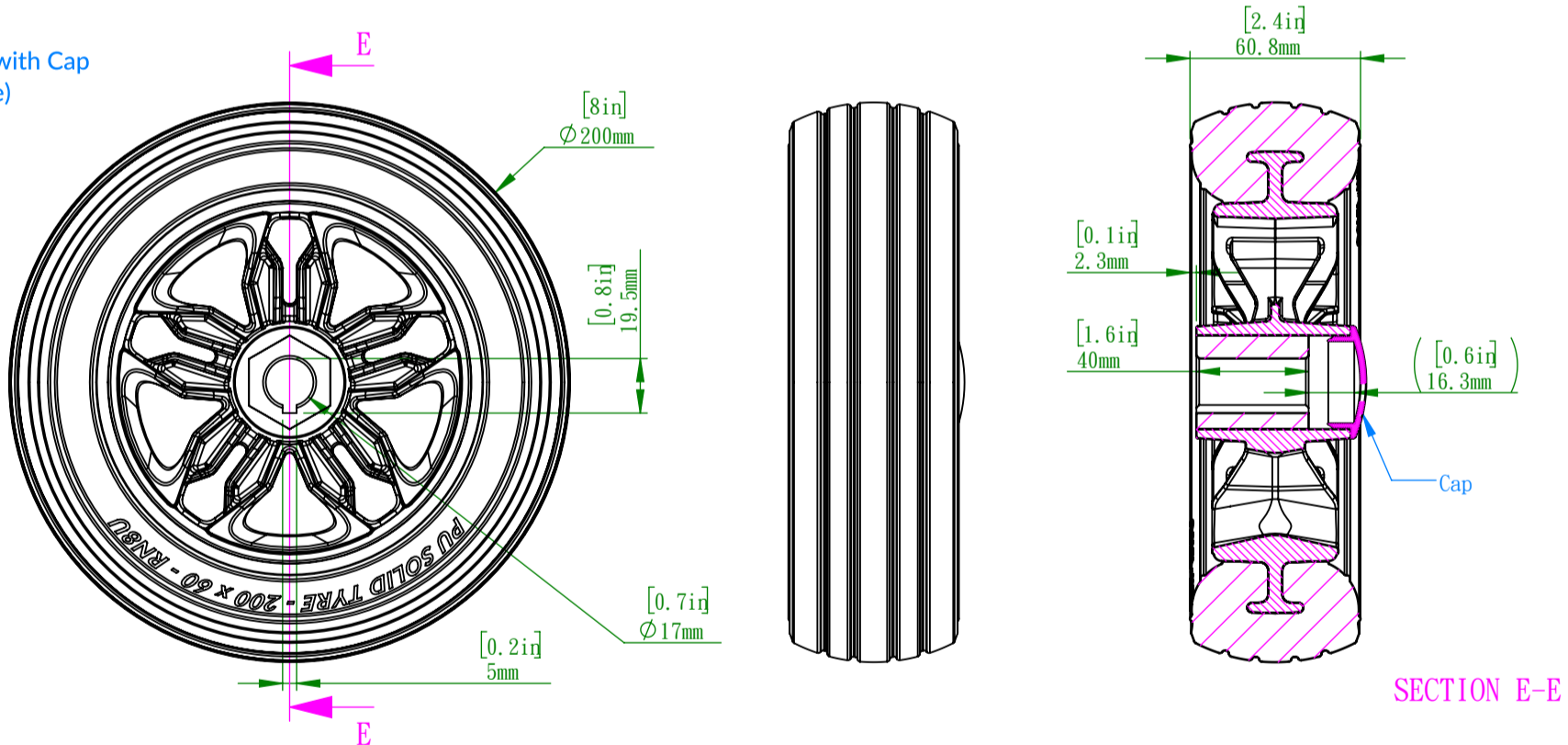
Material:		This drawing is our property it can't be reproduced or communicated without our written agreement.	Description:	
Finish:			Drawn by:	Drawn Date:
Unless Otherwise Stated: All Dimensions: mm		Document Type:	Checked/Approved by:	Checked/Approved Date:
Drawing Scale: 1:2.5		Company Confidential		
Approx Weight: g	Note :	Legal Owner:	Part Number: RN8U-ASM-200x60-U02	
Projection Method: THIRD ANGLE	Sheet Size: A3	日飛騰企業有限公司	Drawing Number:	Sheet: 1 of 2
			Revision:	

REVISIONS				
ZONE	REV.	DESCRIPTION	DATE	APPROVED
-	1.2	Add the drawings with used cap.	2023/01/18	Sonny

Eccentric - D Type with Cap
(with Bearing 6201)



Eccentric - E Type with Cap
(with Quick Release)



Material:		This drawing is our property it can't be reproduced or communicated without our written agreement.	Description:	
Finish:			Drawn by:	Drawn Date:
Unless Otherwise Stated: All Dimensions: mm		Document Type:	Checked/Approved by:	
Drawing Scale: 1:2.5		Company Confidential		Checked/Approved Date:
Approx Weight: g	Note :	Legal Owner:		Part Number: RN8U-ASM-200x60-U02-Cap
Projection Method: THIRD ANGLE	Sheet Size: A3	日飛騰企業有限公司		Drawing Number:
				Sheet: 2 of 2
				Revision: