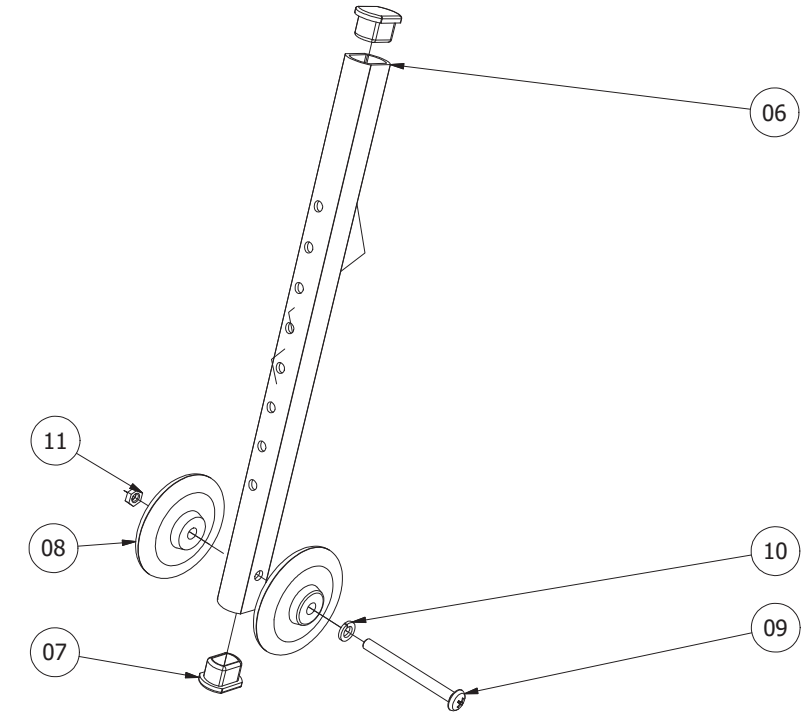
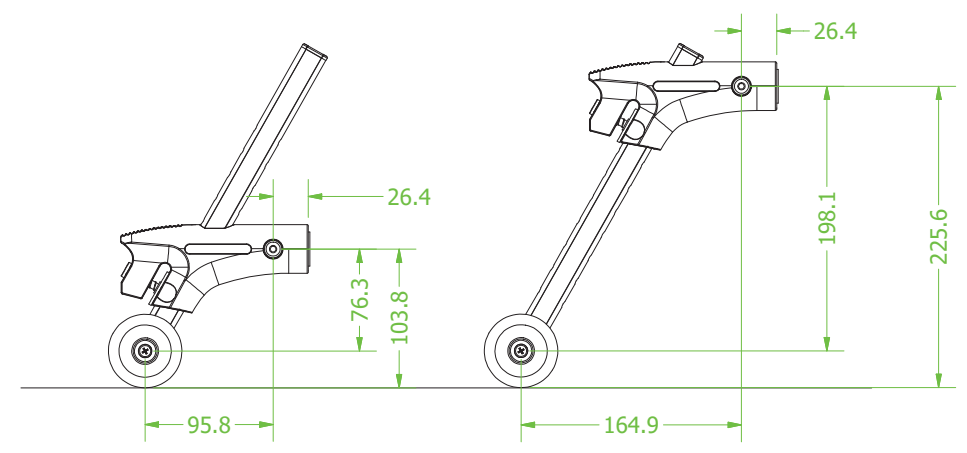
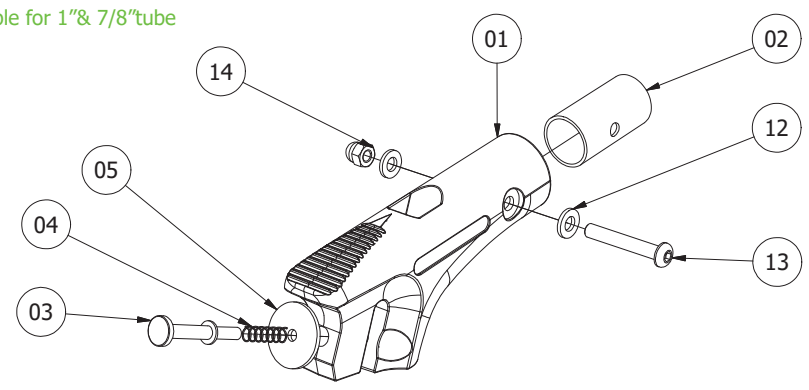
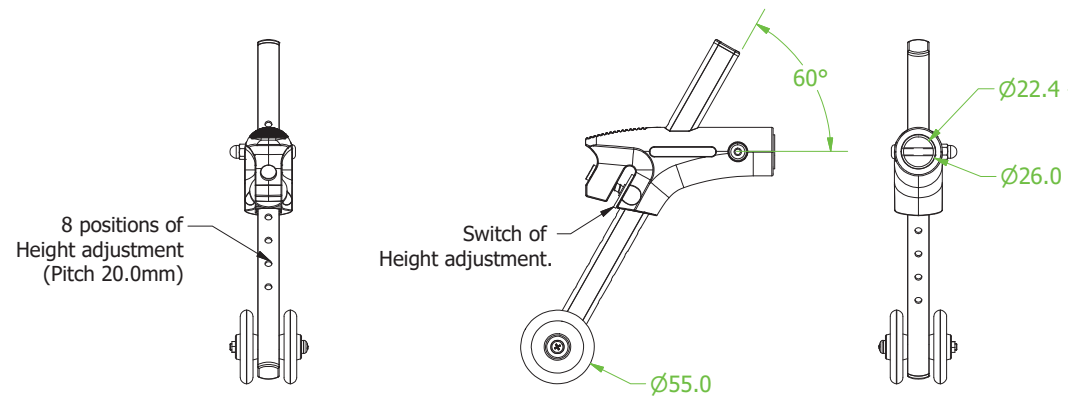


REVISION HISTORY				
ZONE	REV	DESCRIPTION	DATE	APPROVED
	1		2015/1/7	



TABLE

Item	Quantity	Description
01	1	Plastic part
02	1	Reducing bush 25-22 mm
03	1	Retaining pin
04	1	Compression spring
05	1	Washer 28x5x2 mm
06	1	Aluminum Tube
07	2	Tube Insertcap
08	2	Wheel 55x17 mm
09	1	Axle M5x56 mm
10	1	Washer M5
11	1	Selflocking nut M5
12	2	Washer M6
13	1	Screw M6x38 mm
14	1	Dome Cap Nut M6

This drawing is our property it can't be reproduced or communicated without our written agreement.		RI FEI TENG Co., Ltd. 日飛騰企業有限公司		
DRAWN Sonny		PROJECT NAME Anti-Tipper		
DESIGN Sonny		DWG NO RFT-ASM-AntiTipper-A01.iam		
CHECK		DESCRIPTION Anti-Tipper		SIZE A3
APPROVED		ERP NO:	MATERIAL	VIEW 
				REV 01
				SHEET 1 OF 1