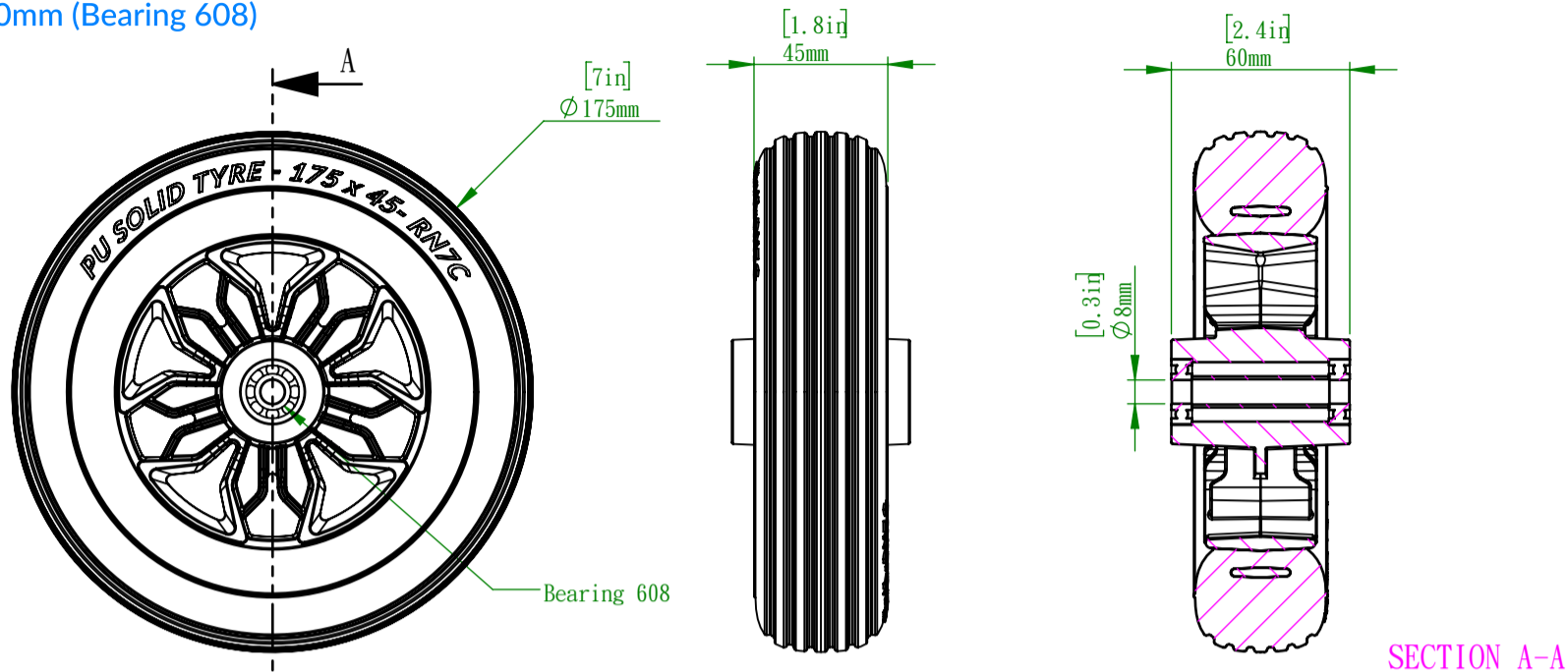
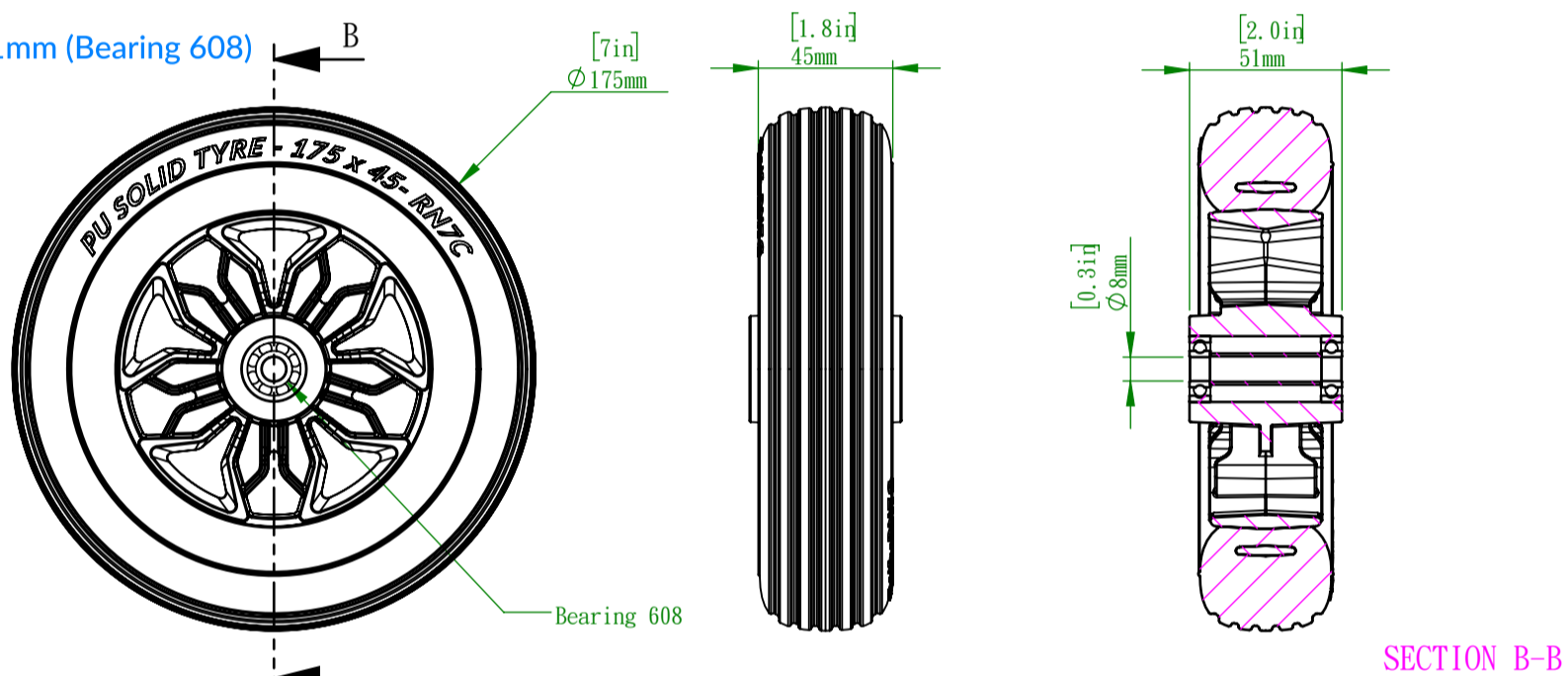


ZONE		REV.	DESCRIPTION	DATE	APPROVED
		1.1	1. Add the C type. 2. Revised & Update the dimensions.	2023/01/19	Sonny

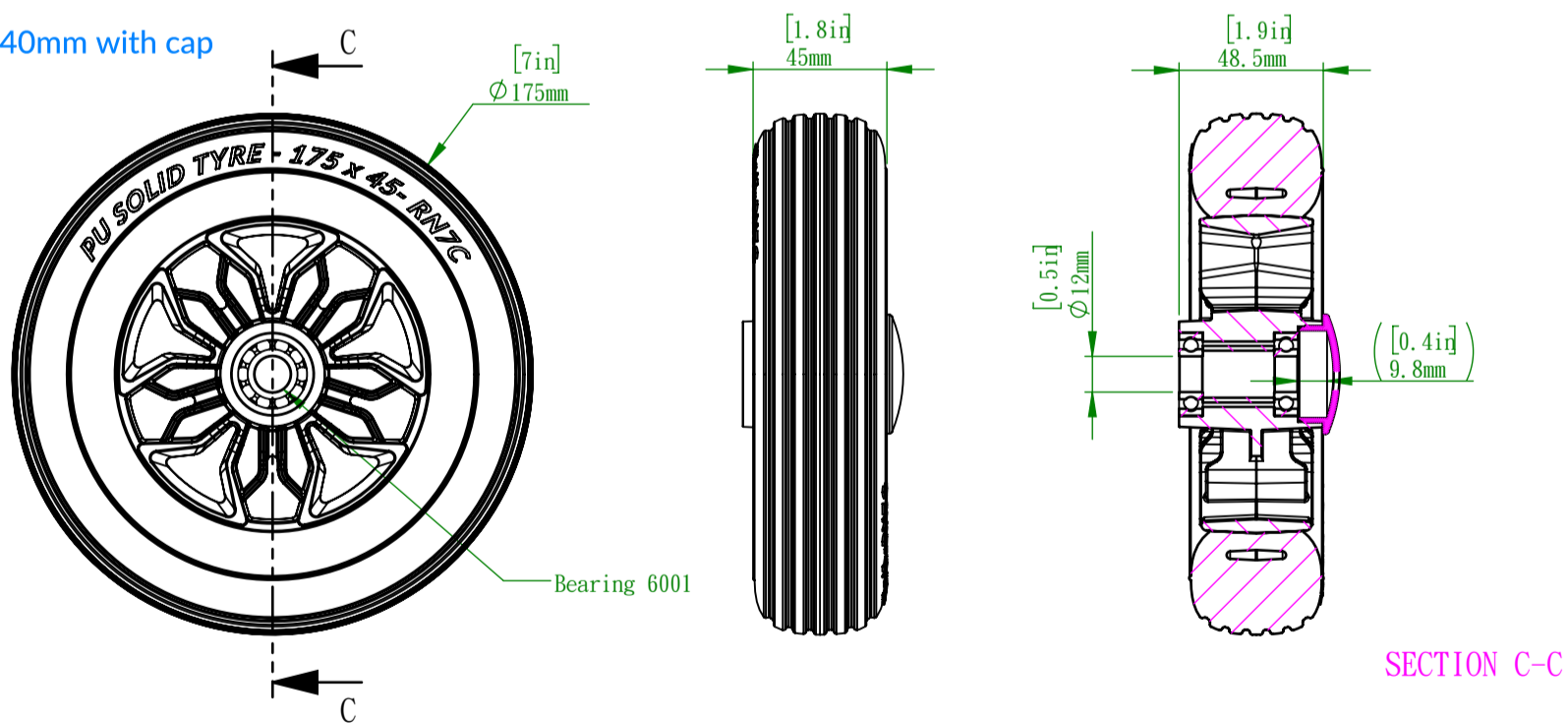
A Type - Centric Hub -60mm (Bearing 608)



B Type - Centric Hub -51mm (Bearing 608)



C Type - Eccentric Hub -40mm with cap



Material:		This drawing is our property it can't be reproduced or communicated without our written agreement.	Description:	
Finish:			Drawn by:	Drawn Date:
Unless Otherwise Stated: All Dimensions: mm		Document Type:	Checked/Approved by:	Checked/Approved Date:
Drawing Scale: 1:2.5		Company Confidential		
Approx Weight: g	Note :	Legal Owner:	Part Number: RN7C-175x45-C01	
Projection Method: THIRD ANGLE	Sheet Size: A3	日飛騰企業有限公司		
		Drawing Number:	Sheet: 1 of 1	Revision: