

1

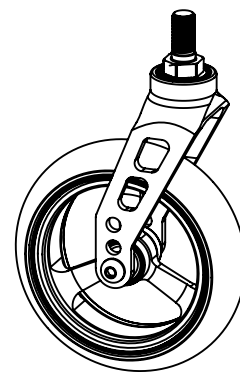
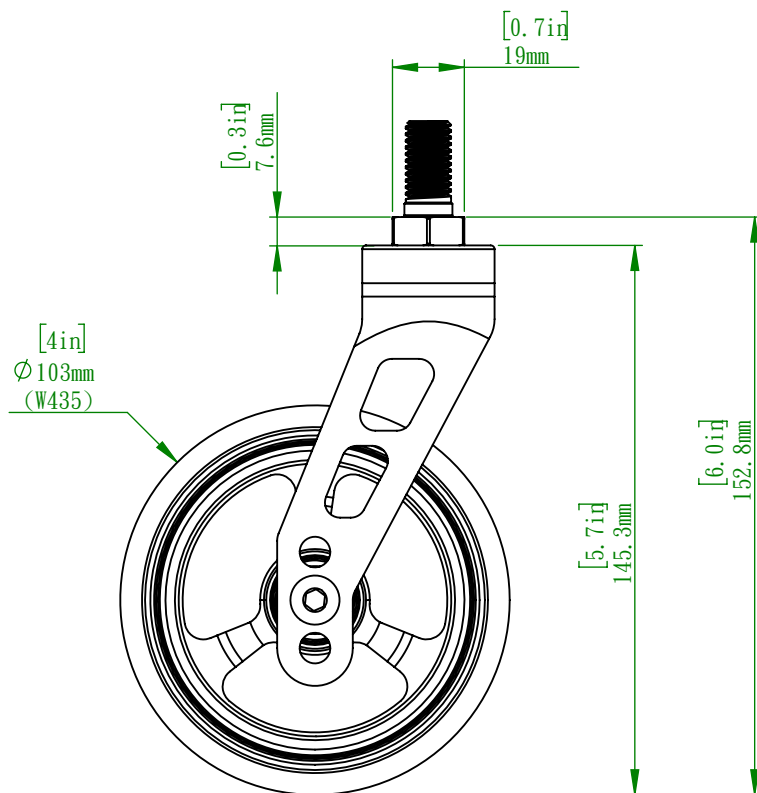
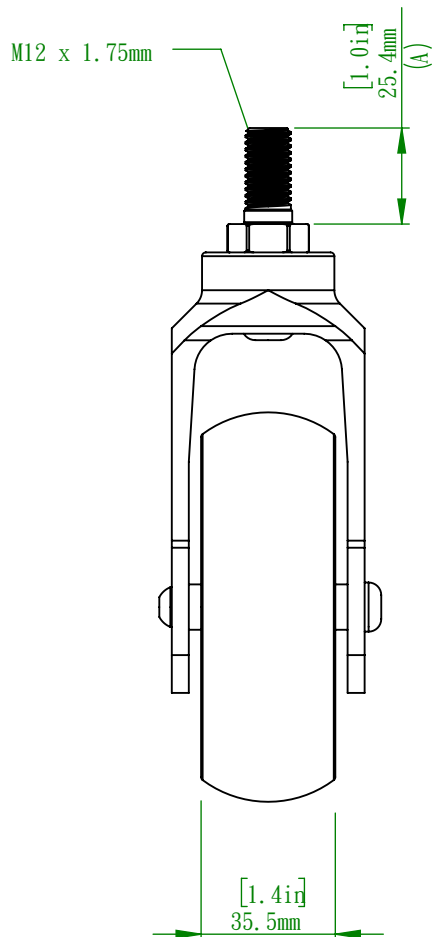
2

3

4

REVISIONS

ZONE	REV.	DESCRIPTION	DATE	APPROVED
-	1.2	-	2022/02/18	Sonny



Material:		This drawing is our property it can't be reproduced or communicated without our written agreement.	Description:	
Finish:			Drawn by:	Drawn Date:
			Checked/Approved by:	Checked/Approved Date:
Drawing Scale: 1:2		ERP No.	Company Confidential	
Approx Weight: g	Note:	Legal Owner:	Part Number: FK488-W435-H2-M12ST-A01	
Projection Method: THIRD ANGLE 	Sheet Size: A4	日飛騰企業有限公司	Drawing Number:	Sheet: 4 of 4 Revision: