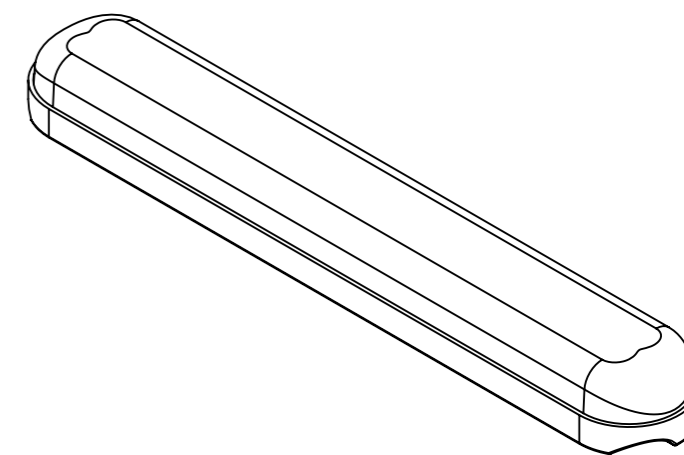
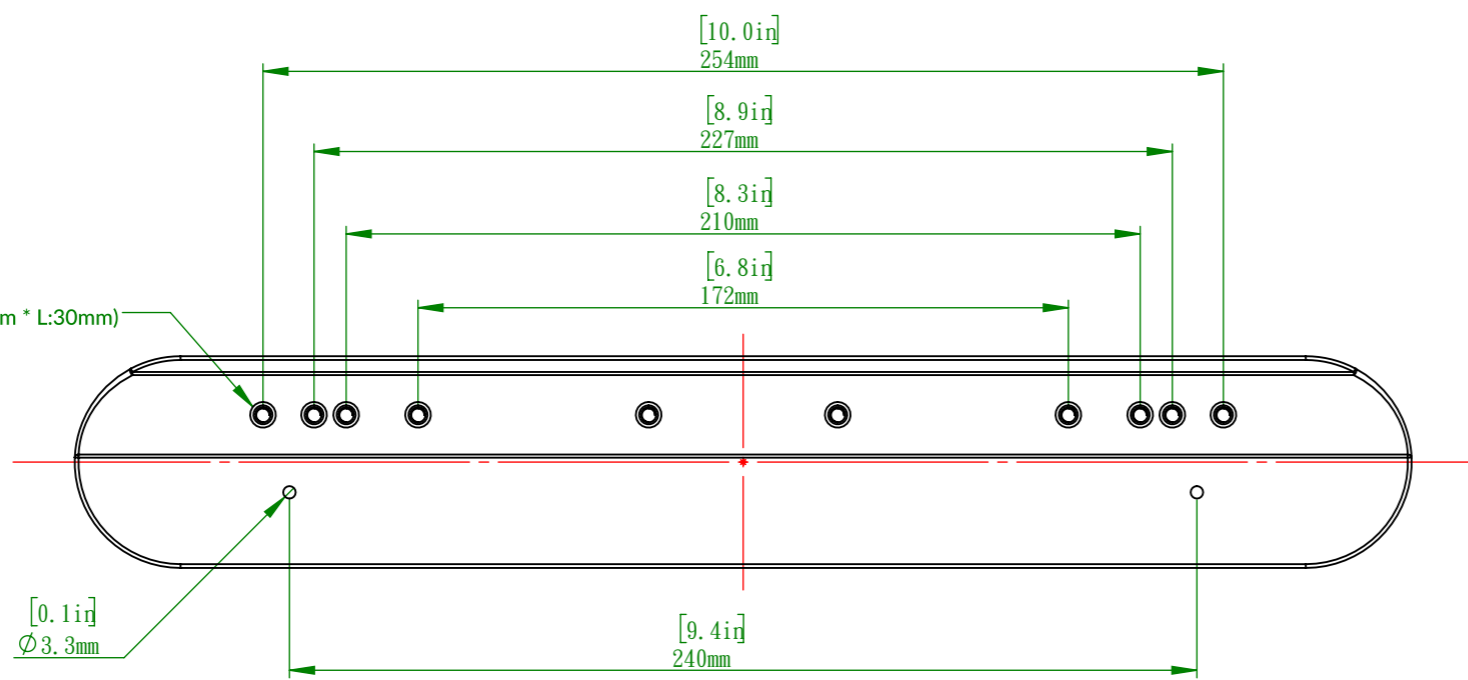
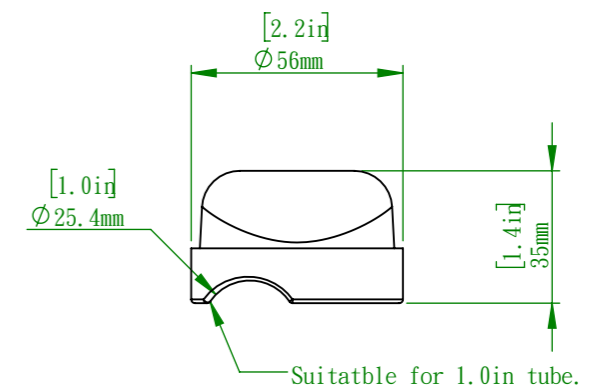
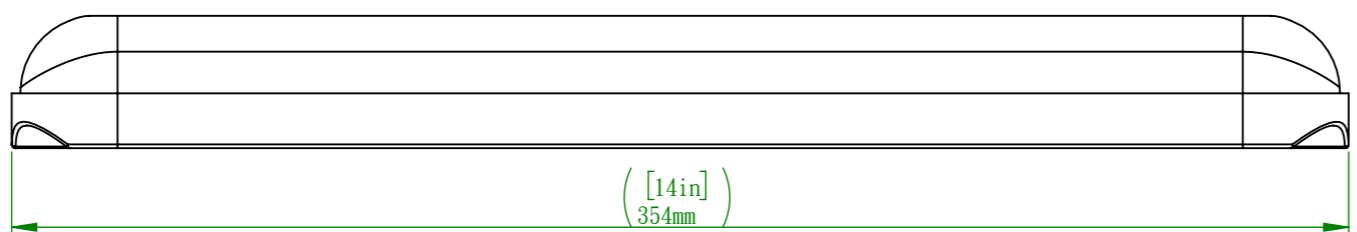
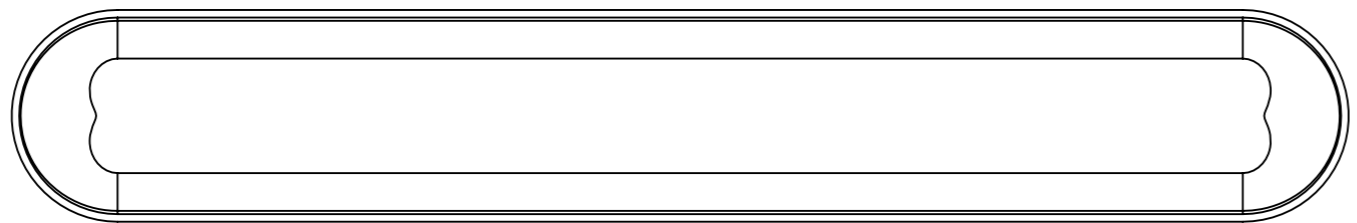


REVISIONS				
ZONE	REV.	DESCRIPTION	DATE	APPROVED
	1.1	Rebulid 3D Model	2022/04/06	Sonny



Material:		This drawing is our property it can't be reproduced or communicated without our written agreement.	Description:	
Finish:			Drawn by:	Drawn Date:
Unless Otherwise Stated: All Dimensions: mm		Document Type:	Checked/Approved by:	
Drawing Scale: 1:2		Company Confidential	Checked/Approved Date:	
Approx Weight: g	Note :	Legal Owner:	Part Number: LA26-A01	
Projection Method: THIRD ANGLE	Sheet Size: A3	日飛騰企業有限公司	Drawing Number:	Sheet: 1 of 2
				Revision: