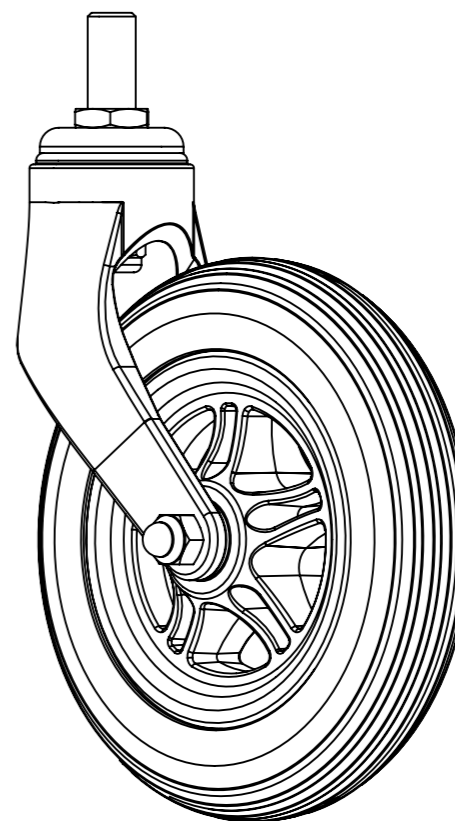
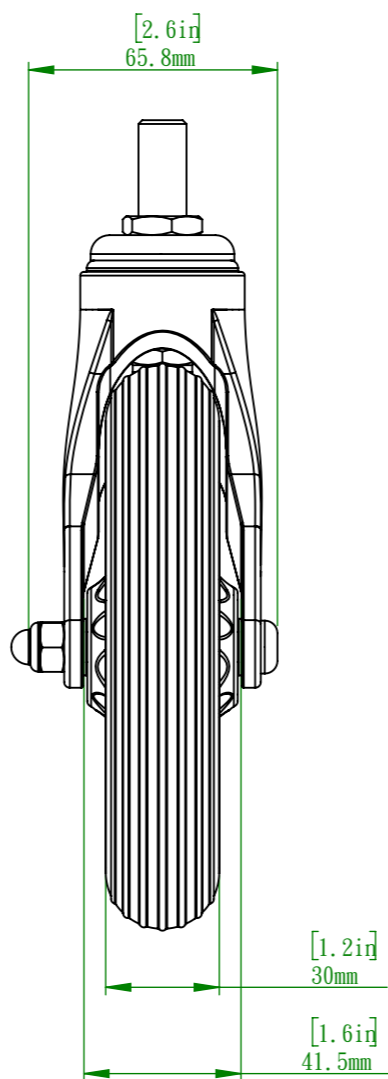
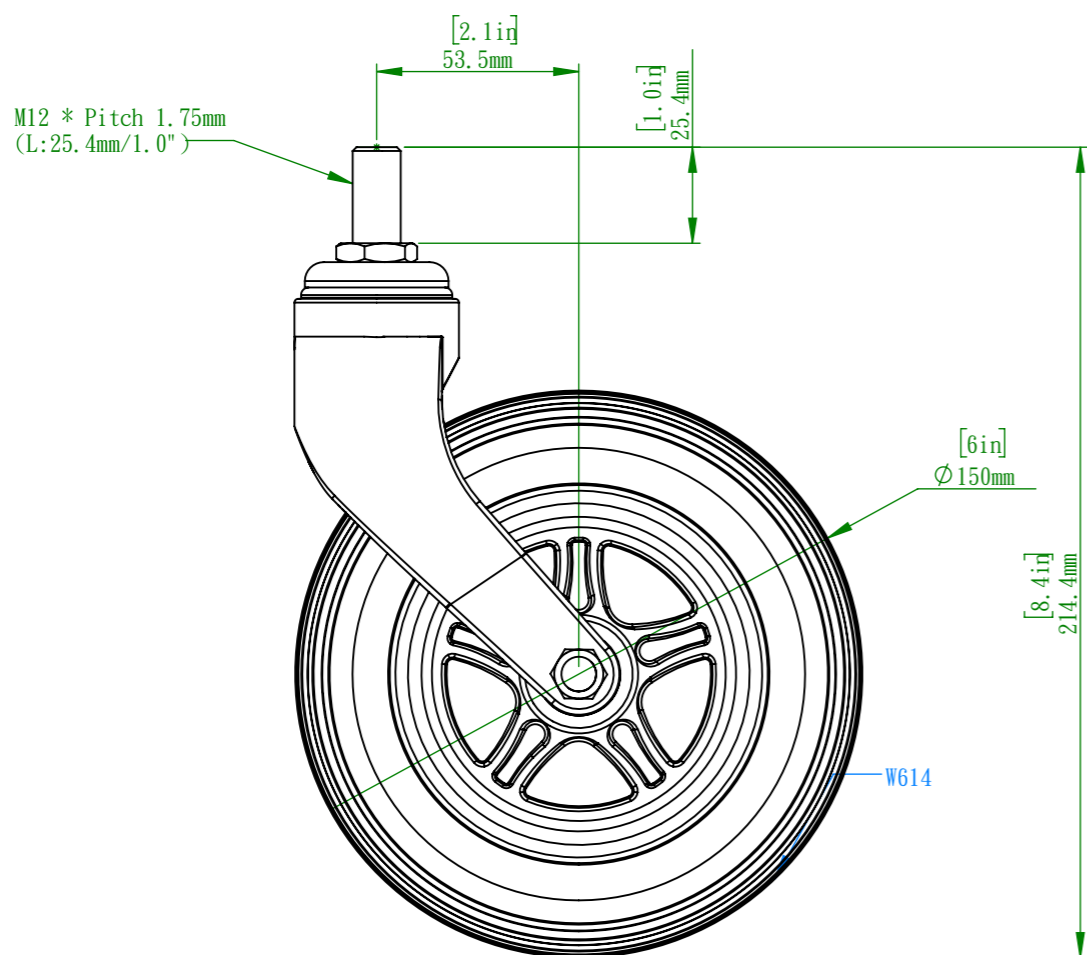
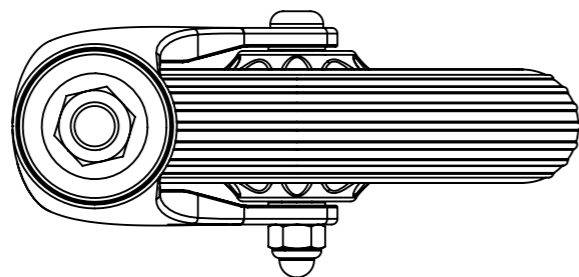


REVISIONS				
ZONE	REV.	DESCRIPTION	DATE	APPROVED
-	1.1	-	2020/07/07	Sonny



Material:		This drawing is our property it can't be reproduced or communicated without our written agreement.	Description:	
Finish:			Drawn by:	Drawn Date:
Unless Otherwise Stated: All Dimensions: mm		Document Type:	Checked/Approved by:	Checked/Approved Date:
Drawing Scale: 1:2		Company Confidential		Part Number: ASY-FK64-W614
Approx Weight: g	Note :	Legal Owner: 日飛騰企業有限公司	Drawing Number:	Sheet: 2 of 5
Projection Method: THIRD ANGLE	Sheet Size: A3		Revision:	



A3

2 of 5