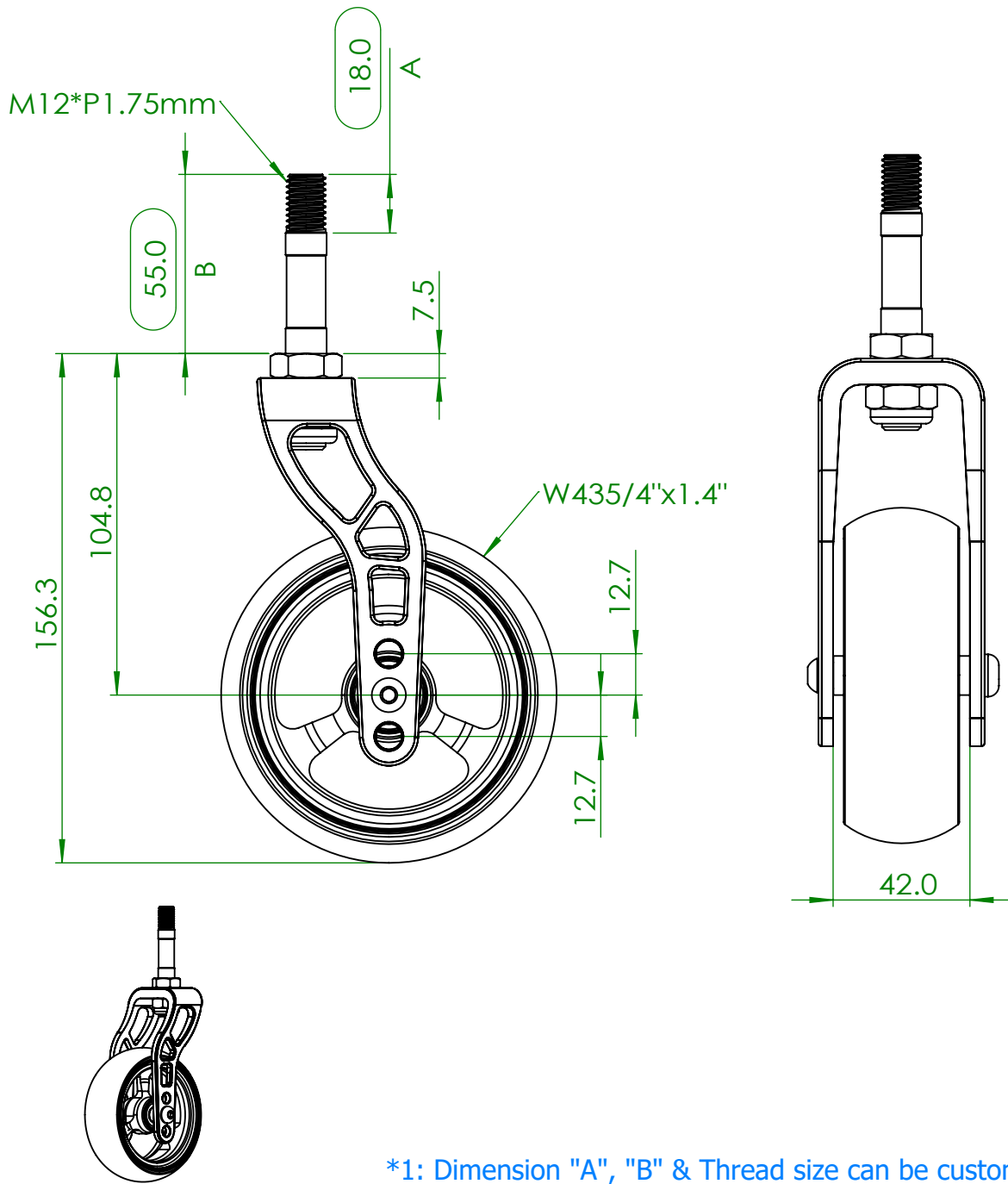


REVISIONS				
ZONE	REV.	DESCRIPTION	DATE	APPROVED
	1.2	Update the details.	2022/10/13	Sonny



*1: Dimension "A", "B" & Thread size can be customized.
 *2: All diemnsion in "mm".

Material:		This drawing is our property it can't be reproduced or communicated without our written agreement.	Description:	
Finish:			Drawn by:	Drawn Date:
			Checked/Approved by:	Checked/Approved Date:
Drawing Scale: 1:2		ERP No.	Company Confidential	
Approx Weight: g	Note:	Legal Owner:	Part Number: FK458-W435-H2-M12ST-A01	
Projection Method: THIRD ANGLE	Sheet Size: A4	日飛騰企業有限公司	Drawing Number:	Sheet: 1 of 2
				Revision: