

1

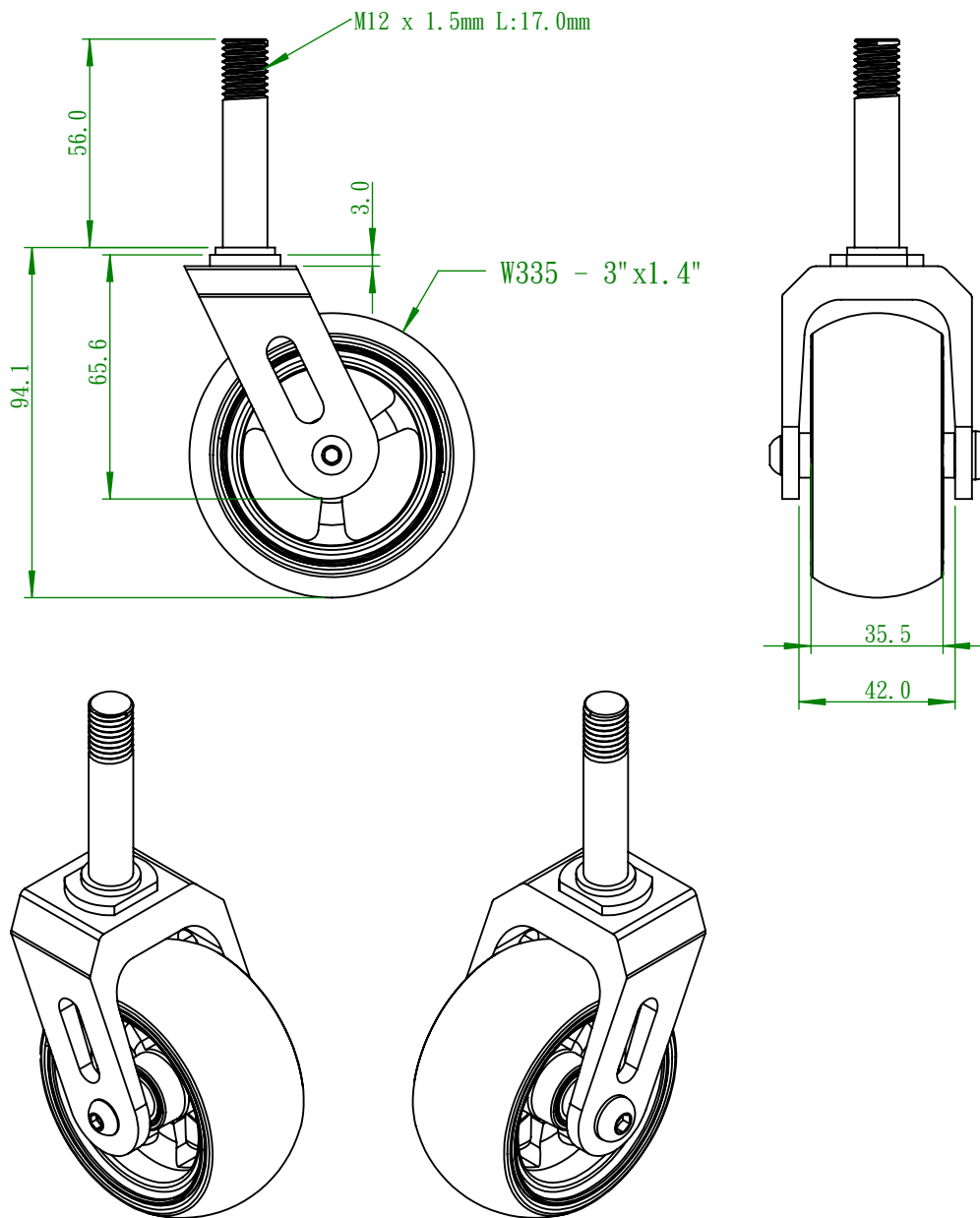
2

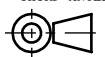
3

4

REVISIONS

ZONE	REV.	DESCRIPTION	DATE	APPROVED
	1.0		2023/07/26	Sonny



Material:		<p>This drawing is our property it can't be reproduced or communicated without our written agreement.</p> <p>ERP No.</p> <p>Company Confidential</p> <p>Legal Owner: Ri Fei Teng Co., LTD</p>	Description:	
Finish:			Drawn by:	Drawn Date:
			Checked/Approved by:	Checked/Approved Date:
Drawing Scale: 1:2		Part Number: HGD-ASM-FK451W335-01		Revision:
Approx Weight: g	Note:	Drawing Number:	Sheet: 1 of 3	
Projection Method: THIRD ANGLE 		Sheet Size: A4		

A  
B  
C  
D  
E  
F