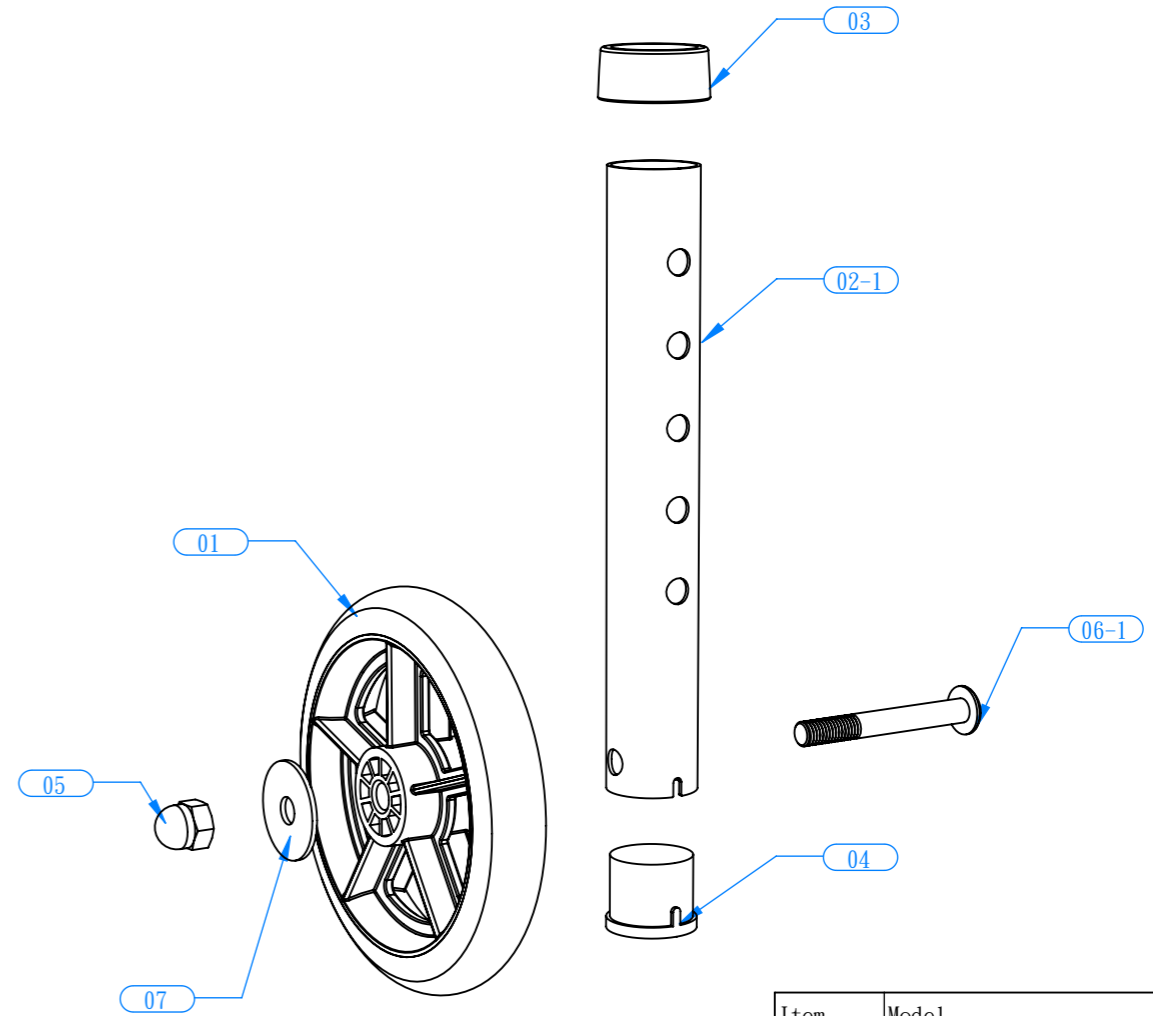
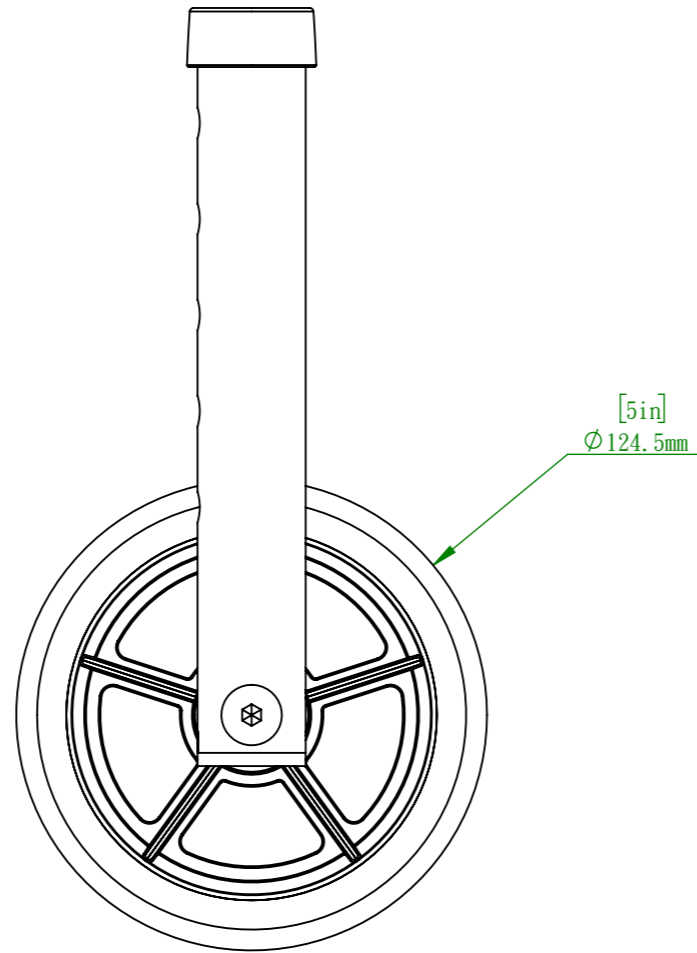
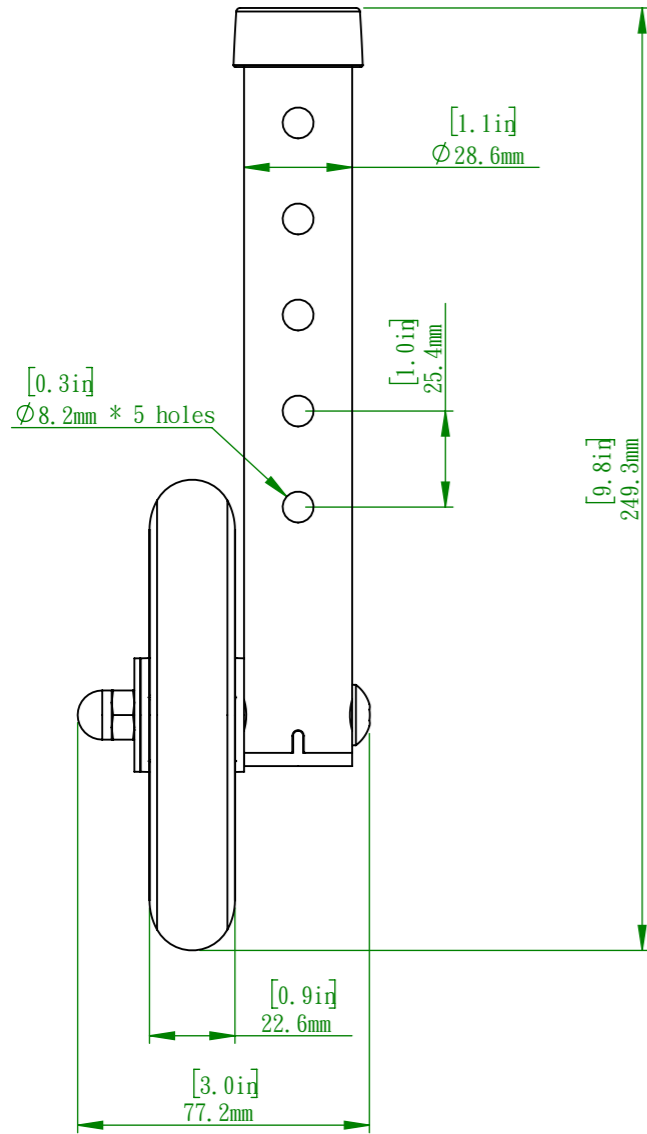
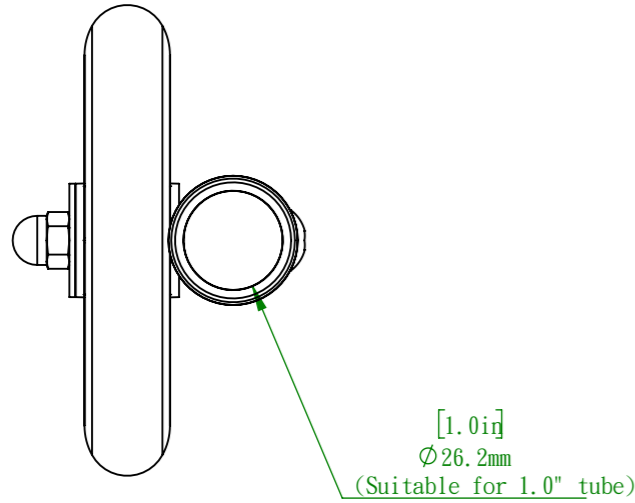


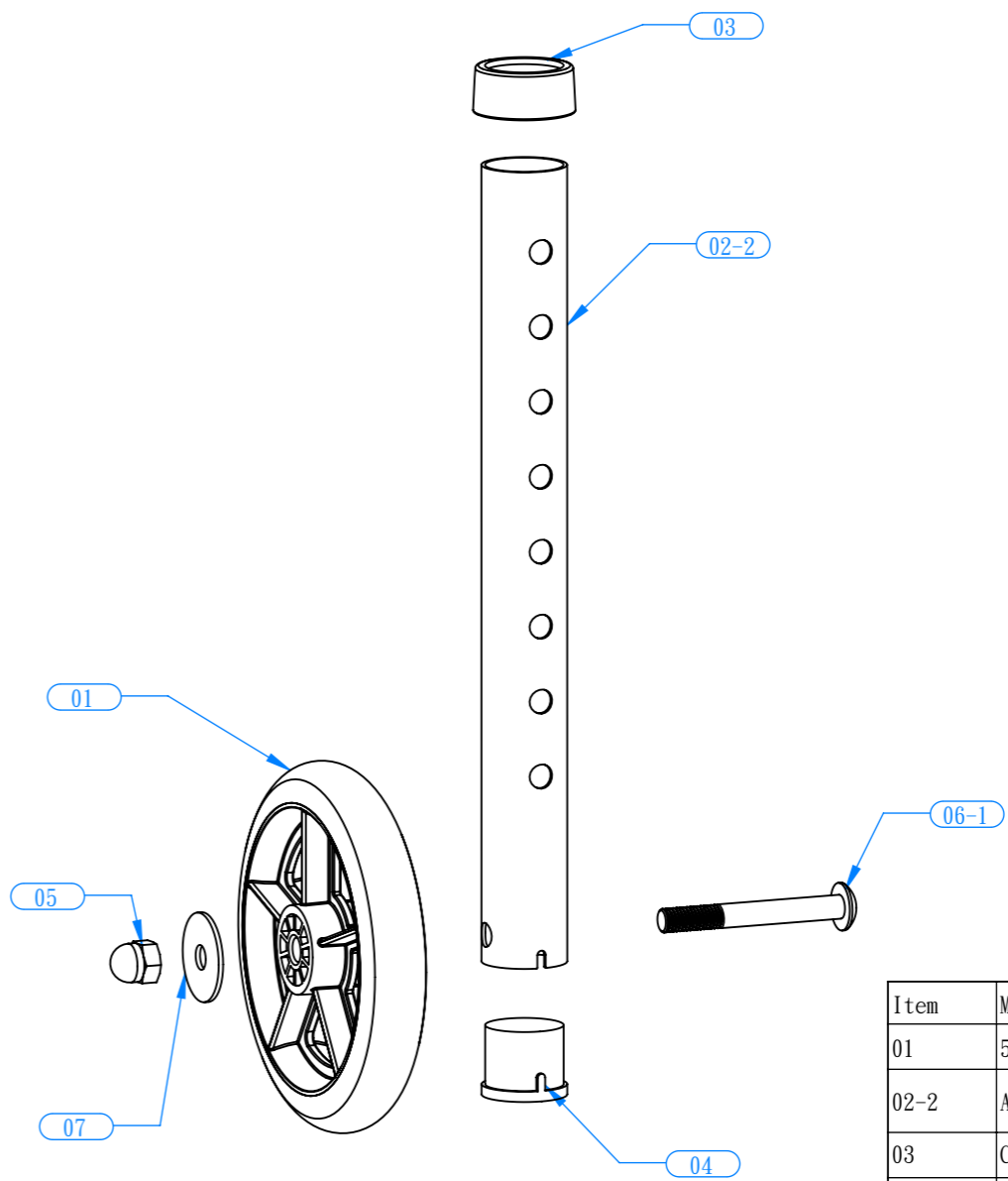
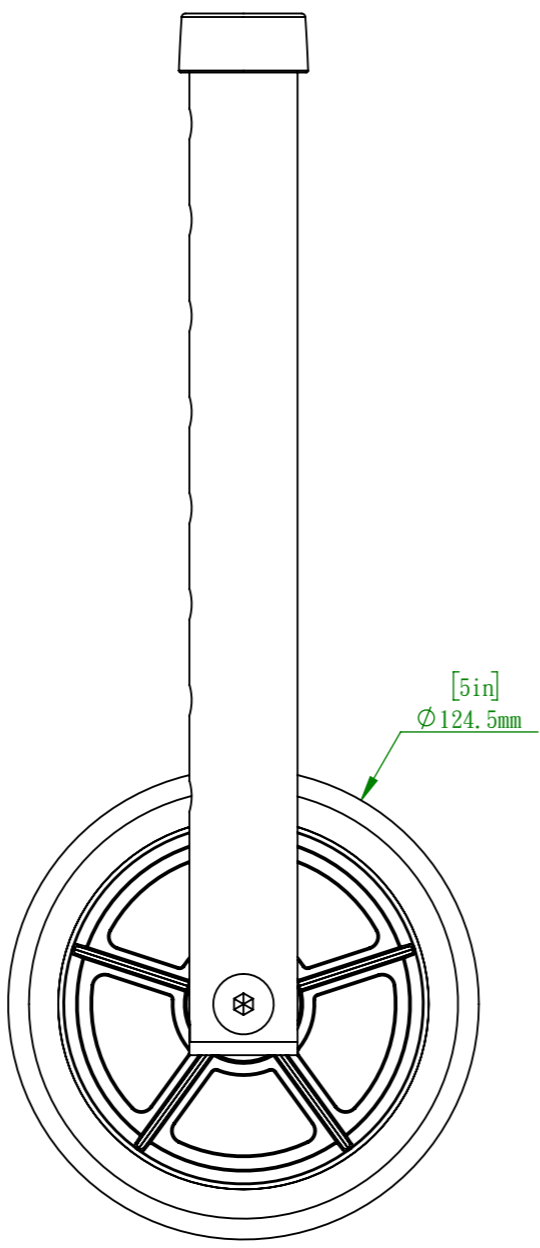
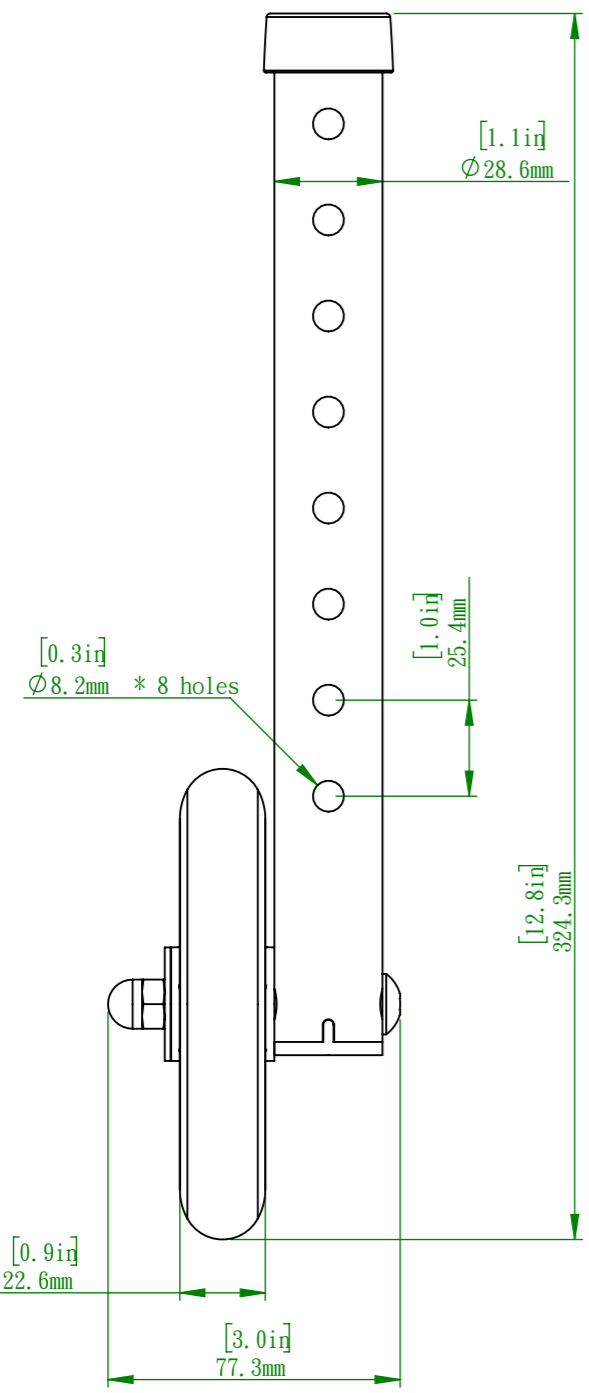
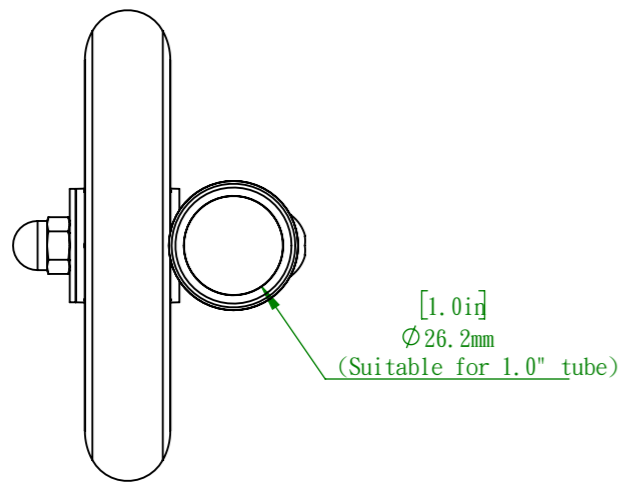
REVISIONS				
ZONE	REV.	DESCRIPTION	DATE	APPROVED
	1.1		2022/08/09	Sonny



Item	Model	Note
01	5" PVC Wheel	
02-1	Aluminum Tube -195mm	
03	Cap	
04	Stopper	
05	Nut	
06-1	Screw-L65mm	
07	Plastic Washer-D30x2.0	

Material:		This drawing is our property it can't be reproduced or communicated without our written agreement.	Description:	
Finish:			Drawn by:	Drawn Date:
Unless Otherwise Stated: All Dimensions: mm		Document Type:	Checked/Approved by:	
Drawing Scale: 1:2		Company Confidential		Checked/Approved Date:
Approx Weight: g	Note :	Legal Owner:	Part Number:	
Projection Method: THIRD ANGLE	Sheet Size: A3	日飛騰企業有限公司	WFS-ASM-L195mm-SW-A01	
			Drawing Number:	Sheet: 1 of 7
				Revision:

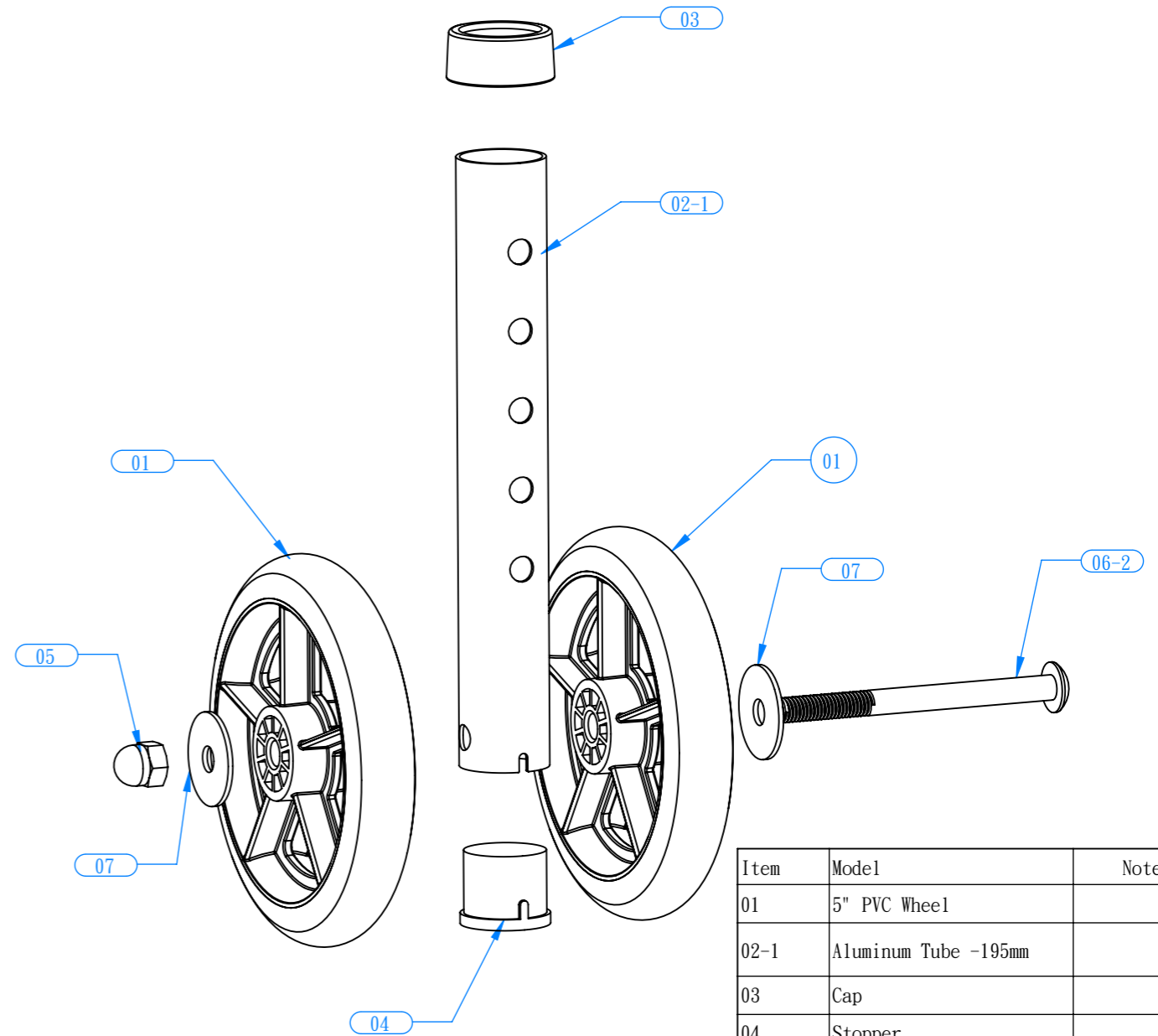
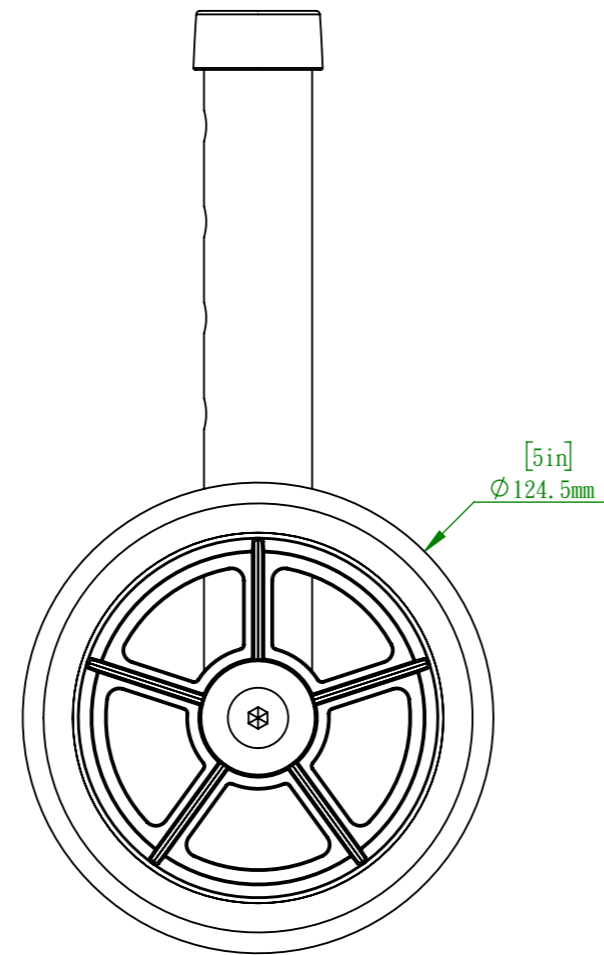
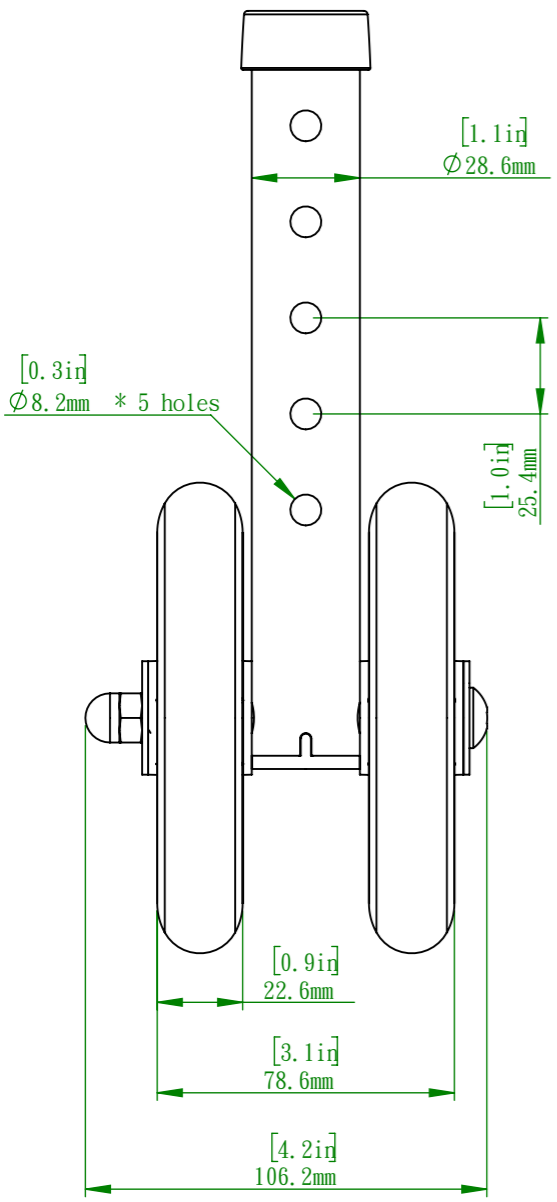
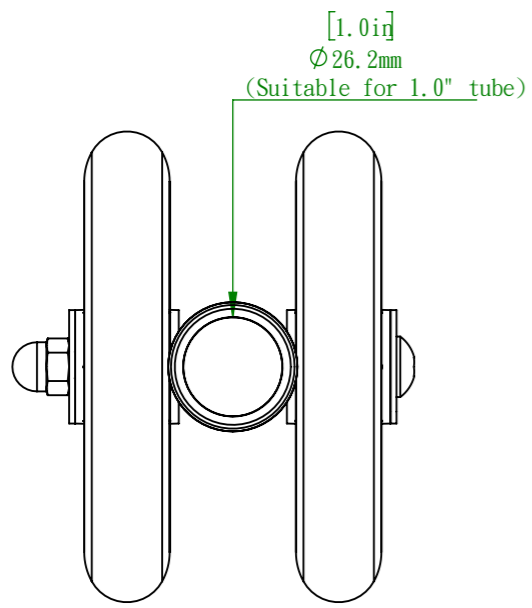
REVISIONS				
ZONE	REV.	DESCRIPTION	DATE	APPROVED
-	1.1	-	2022/08/09	Sonny



Item	Model	Note
01	5" PVC Wheel	
02-2	Aluminum Tube -270mm	
03	Cap	
04	Stopper	
05	Nut	
06-1	Screw-L65mm	
07	Plastic Washer-D30x2.0	

Material:		This drawing is our property it can't be reproduced or communicated without our written agreement.	Description:	
Finish:			Drawn by:	Drawn Date:
Unless Otherwise Stated: All Dimensions: mm		ERP No.	Checked/Approved by:	
Drawing Scale: 1:2		Company Confidential		Checked/Approved Date:
Approx Weight: g	Note :	Legal Owner:	Part Number:	
Projection Method: THIRD ANGLE	Sheet Size: A3	日飛騰企業有限公司	WFS-ASM-L270mm-SW-A01	
			Drawing Number:	Sheet: 2 of 7
				Revision: 2 of 7

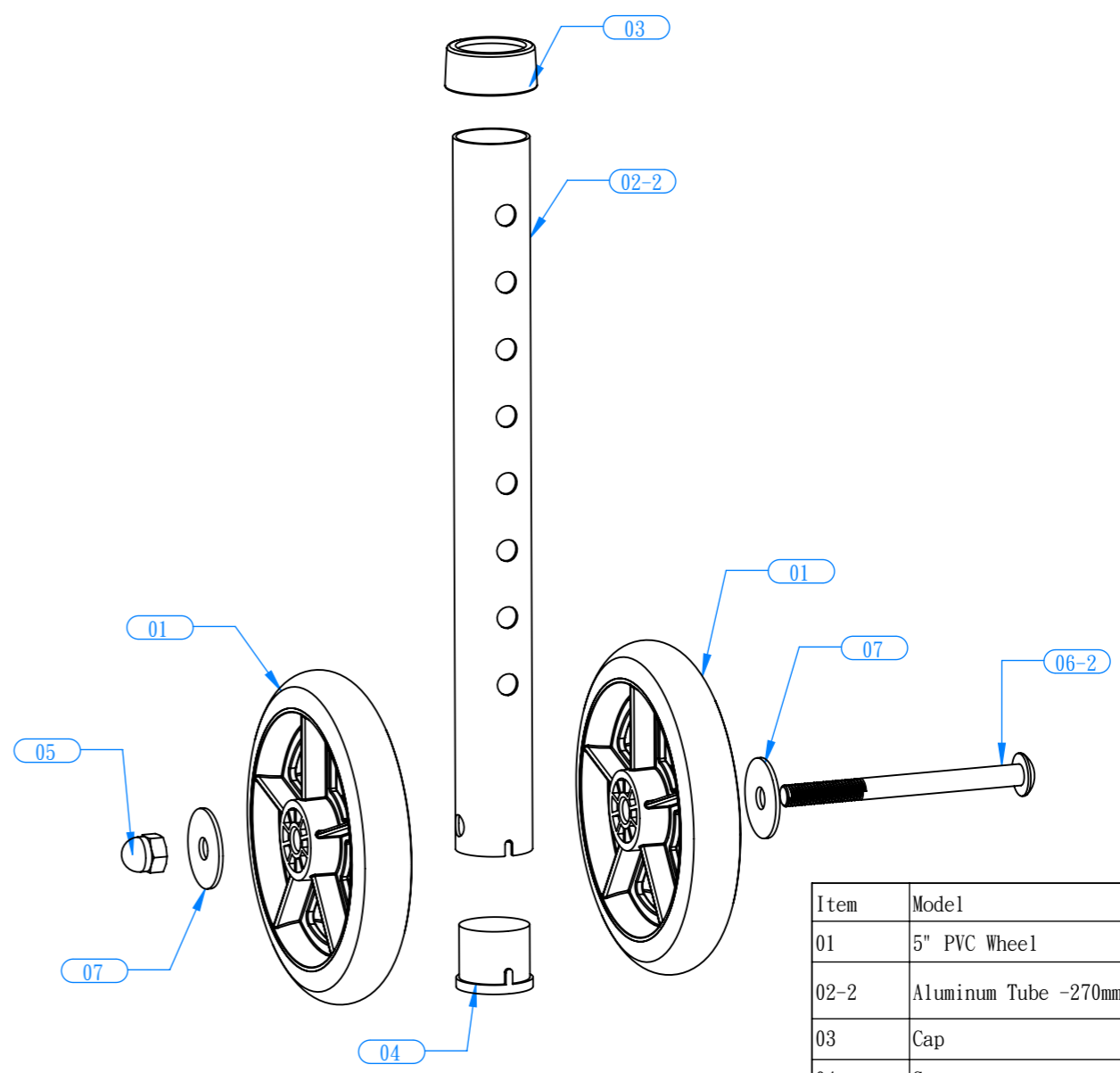
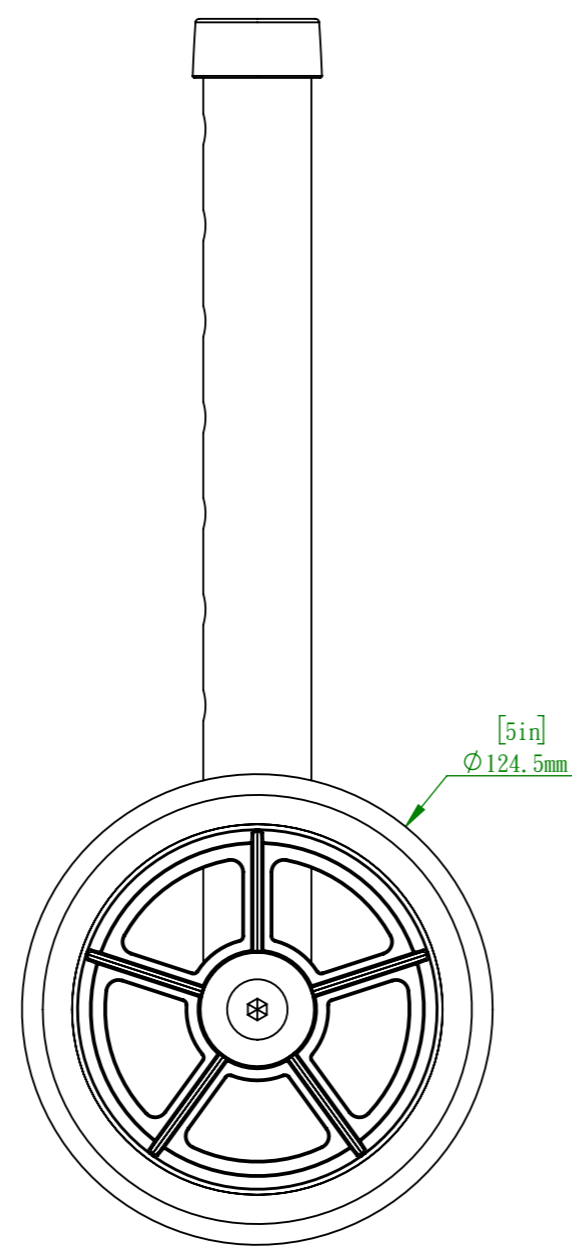
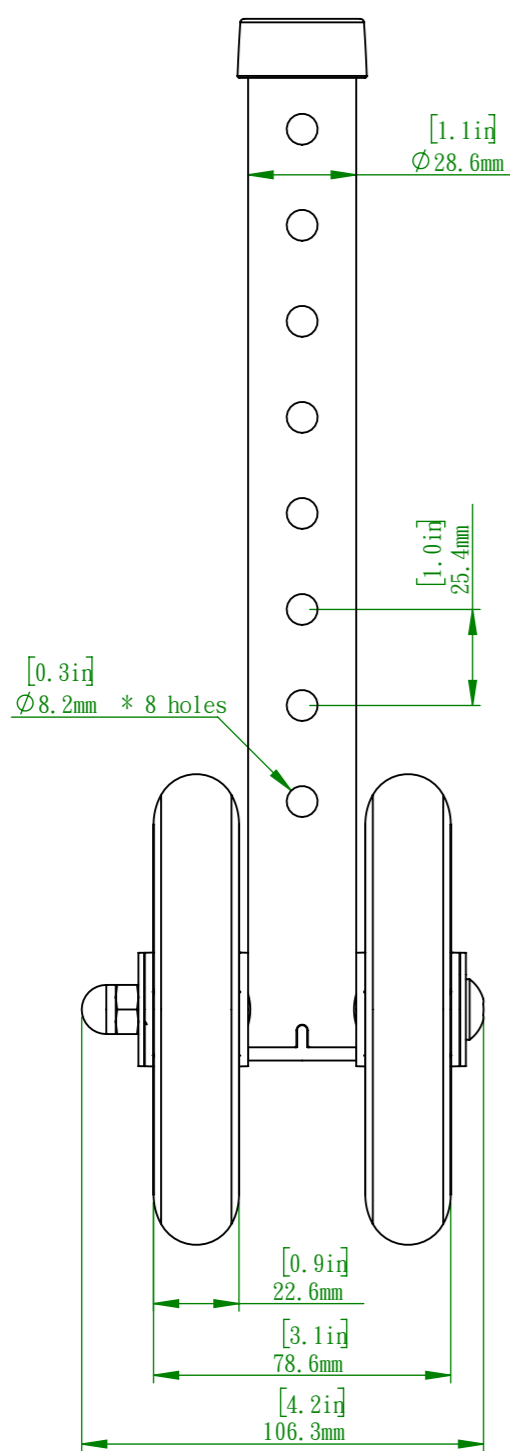
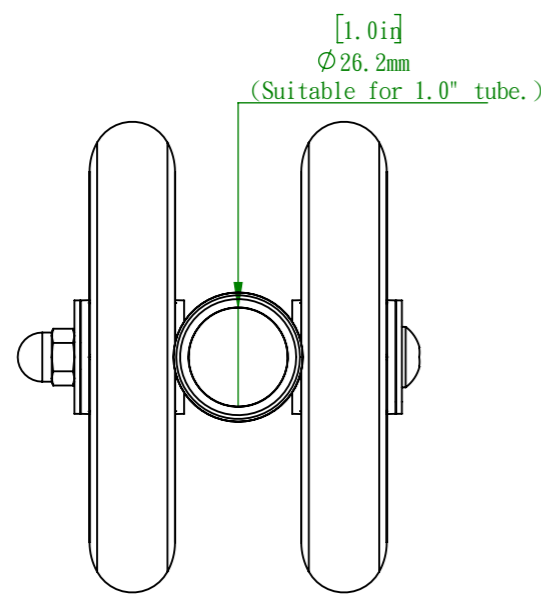
REVISIONS				
ZONE	REV.	DESCRIPTION	DATE	APPROVED
-	1.1	-	2022/08/09	Sonny



Item	Model	Note
01	5" PVC Wheel	
02-1	Aluminum Tube -195mm	
03	Cap	
04	Stopper	
05	Nut	
06-2	Screw-L82mm	
07	Plastic Washer-D30x2.0	

Material:		This drawing is our property it can't be reproduced or communicated without our written agreement.	Description:	
Finish:			Drawn by:	Drawn Date:
Unless Otherwise Stated: All Dimensions: mm		ERP No.	Checked/Approved by:	
Drawing Scale: 1:2		Company Confidential		Checked/Approved Date:
Approx Weight: g	Note :	Legal Owner:	Part Number:	
Projection Method: THIRD ANGLE	Sheet Size: A3	日飛騰企業有限公司	WFS-ASM-L195mm-DW-A01	
			Drawing Number:	Sheet: 3 of 7
				Revision:

REVISIONS				
ZONE	REV.	DESCRIPTION	DATE	APPROVED
-	1.1	-	2022/08/09	Sonny



Item	Model	Note
01	5" PVC Wheel	
02-2	Aluminum Tube -270mm	
03	Cap	
04	Stopper	
05	Nut	
06-2	Screw-L82mm	
07	Plastic Washer-D30x2.0	

Material:		Description:	
Finish:		This drawing is our property it can't be reproduced or communicated without our written agreement.	
Unless Otherwise Stated: All Dimensions: mm		ERP No.	Drawn by:
Drawing Scale: 1:2		Company Confidential	Drawn Date:
Approx Weight: g	Note :	Legal Owner:	Checked/Approved by:
Projection Method: THIRD ANGLE	Sheet Size: A3	日飛騰企業有限公司	Checked/Approved Date:
		Part Number: WFS-ASM-L270mm-DW-A01	
		Drawing Number:	Sheet: 4 of 7
		Revision:	