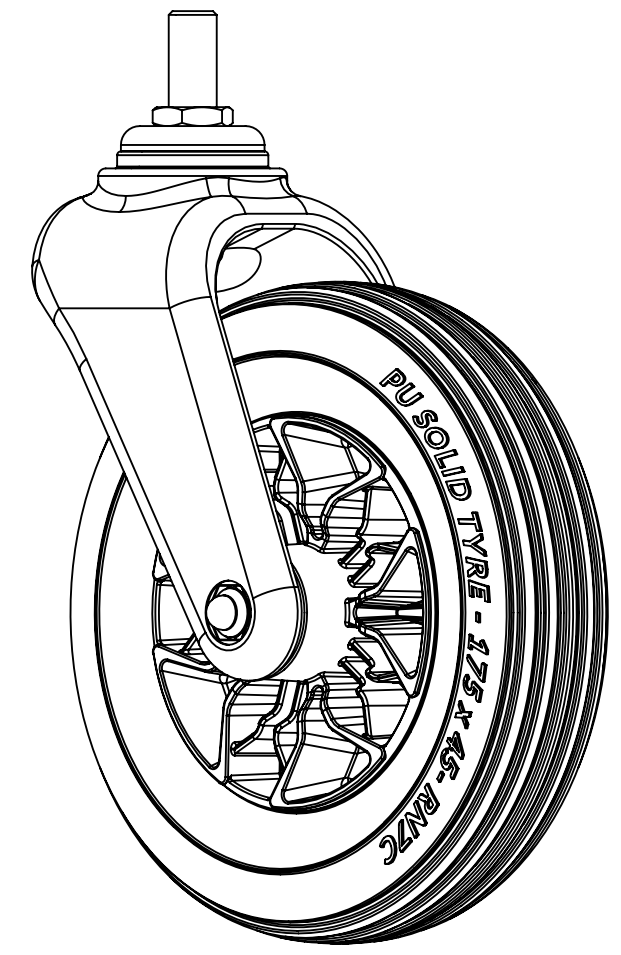
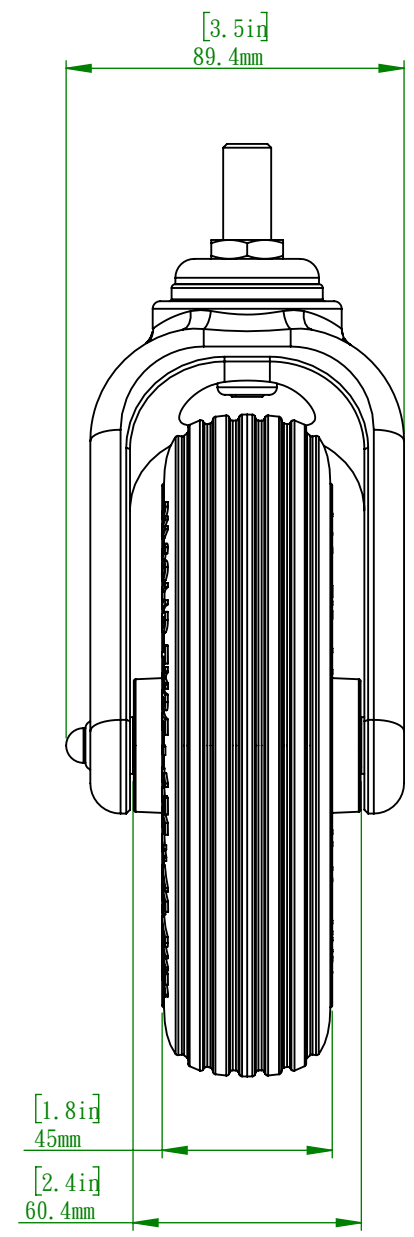
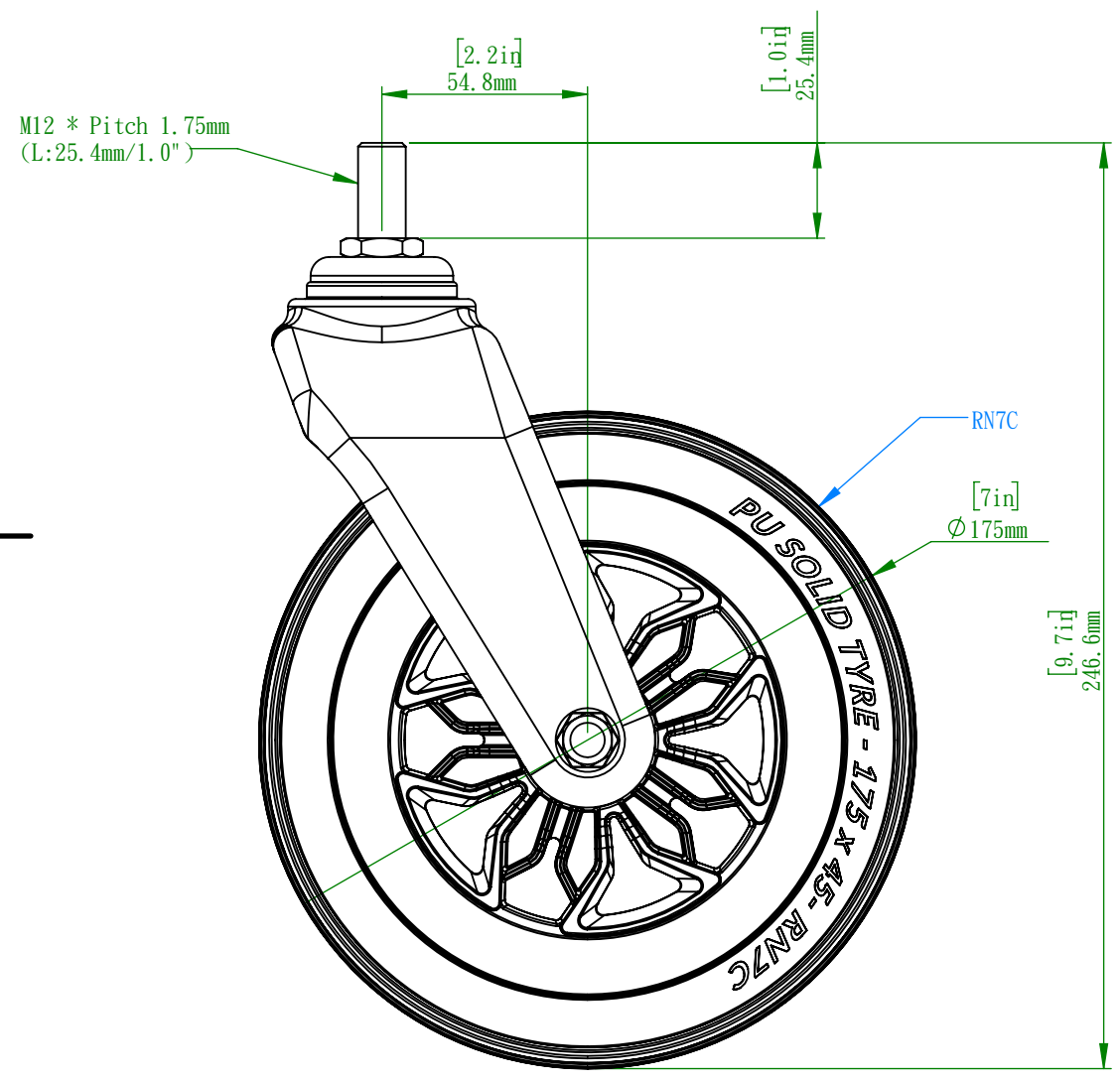
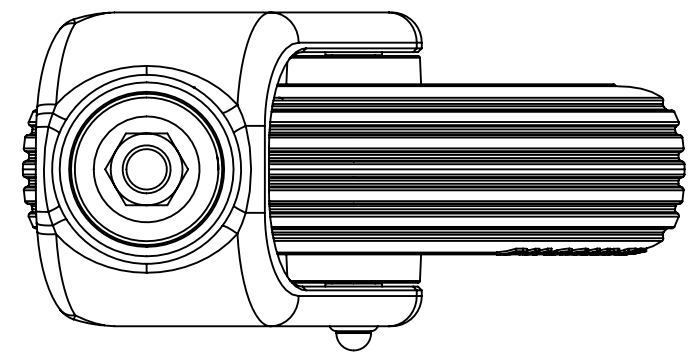


1 2 3 4 5 6 7 8

A
B
C
D
E
F

REVISIONS				
ZONE	REV.	DESCRIPTION	DATE	APPROVED
-	1.1	-	2020/07/07	Sonny



Material:		This drawing is our property it can't be reproduced or communicated without our written agreement.	Description:	
Finish:			Drawn by:	Drawn Date:
Unless Otherwise Stated: All Dimensions: mm		Document Type:	Checked/Approved by:	
Drawing Scale: 1:2		Company Confidential		Checked/Approved Date:
Approx Weight: g	Note :	Legal Owner:		Part Number:
Projection Method: THIRD ANGLE		日飛騰企業有限公司		ASU-FK86-RN7-A01
Sheet Size: A3		Drawing Number:		Sheet: 5 of 5
				Revision:

1 2 3 4 5 6 7 8